

ENG: The measurements mentioned in the drawings and in TimberIN websites are only approximate data. They will differ from the measurements of the finished product. It is due to the fact that our products are individually designed and hand-made. However, if one or more measurements are very important, please mention before ordering. We will pay big attention to your requirements in the production process. This will ensure that the product will be produced as closely as possible to your requirements.

DE: Die in den Zeichnungen und auf den TimberIN-Websites genannten Maße sind nur ungefähre Angaben. Sie unterscheiden sich von den Maßen des fertigen Produkts. Dies liegt daran, dass unsere Produkte individuell gestaltet und handgefertigt werden. Wenn jedoch eine oder mehrere Messungen sehr wichtig sind, geben Sie dies bitte vor der Bestellung an. Wir werden Ihre Anforderungen im Produktionsprozess sehr berücksichtigen. Dadurch wird sichergestellt, dass das Produkt so genau wie möglich Ihren Anforderungen entspricht.

FR: Les mesures mentionnées dans les dessins et sur les sites Web TimberIN ne sont que des données approximatives. Ils différeront des mesures du produit fini. Cela est dû au fait que nos produits sont conçus individuellement et fabriqués à la main. Cependant, si une ou plusieurs mesures sont très importantes, merci de le mentionner avant de commander. Nous prêterons une grande attention à vos besoins dans le processus de production. Cela garantira que le produit sera fabriqué aussi près que possible de vos besoins.

DK: Målingerne nævnt på tegningerne og på TimberIN-websteder er kun omtrentlige data. De afviger fra målingerne af det færdige produkt. Det skyldes, at vores produkter er individuelt designet og håndlavet. Hvis en eller flere målinger dog er meget vigtige, skal du nævne det før du bestiller. Vi vil være meget opmærksomme på dine krav i produktionsprocessen. Dette vil sikre, at produktet produceres så tæt som muligt efter dine krav.

NO: Målingene nevnt på tegningene og på TimberIN nettsteder er bare omtrentlige data. De vil avvike fra målingene av det ferdige produktet. Det skyldes det faktum at produktene våre er individuelt designet og håndlaget. Imidlertid, hvis en eller flere målinger er veldig viktige, må du nevne før du bestiller. Vi vil ta stor vekt på dine krav i produksjonsprosessen. Dette vil sikre at produktet blir produsert så nært som mulig dine behov.

IT: Le misure menzionate nei disegni e nei siti Web di TimberIN sono solo dati approssimativi. Differiranno dalle misure del prodotto finito. È dovuto al fatto che i nostri prodotti sono progettati e realizzati a mano individualmente. Tuttavia, se una o più misurazioni sono molto importanti, si prega di menzionare prima di ordinare. Presteremo grande attenzione alle vostre esigenze nel processo di produzione. Ciò garantirà che il prodotto sarà prodotto il più vicino possibile alle vostre esigenze.

NL: De in de tekening en op TimberIN-websites genoemde metingen zijn slechts benaderende gegevens. Ze zullen verschillen van de afmetingen van het eindproduct. Het is te wijten aan het feit dat onze producten individueel zijn ontworpen en met de hand zijn gemaakt. Als een of meer metingen erg belangrijk zijn, vermeld dit dan voordat u bestelt. We zullen veel aandacht besteden aan uw eisen in het productieproces. Dit zorgt ervoor dat het product zo dicht mogelijk bij uw eisen wordt geproduceerd.

SWE: Mätningarna som nämns på ritningarna och på TimberIN-webbplatser är endast ungefärliga data. De kommer att skilja sig från måtten på den färdiga produkten. Det beror på att våra produkter är individuellt designade och handgjorda. Om en eller flera mätningar är mycket viktiga, berätta dock innan du beställer. Vi kommer att ägna stor uppmärksamhet åt dina krav i produktionsprocessen. Detta kommer att säkerställa att produkten produceras så nära dina krav som möjligt.

PL: Pomiarы wymienione na rysunkach i na stronach internetowych TimberIN są jedynie danymi przybliżonymi. Będą się różnić od pomiarów gotowego produktu. Wynika to z faktu, że nasze produkty są indywidualnie zaprojektowane i wykonane ręcznie. Jeśli jednak co najmniej jeden pomiar jest bardzo ważny, należy o tym wspomnieć przed złożeniem zamówienia. Zwrócimy dużą uwagę na Twoje wymagania w procesie produkcyjnym. Zapewni to, że produkt będzie produkowany jak najbliżej Twoich wymagań.

SUNKEN TERRACE FIBERGLASS JACUZZI TECHNICAL SHEET



Table of contents

TERRACE HOT TUB COMPARISON.....	3
Ø1600 CLASSIC HOT TUB WITH INTERNAL WOOD BURNER (#TERRACE1)	4
Ø1800 CLASSIC HOT TUB WITH EXTERNAL WOOD BURNER (#TERRACE2).....	11
Ø1800 WELLNESS HOT TUB WITH EXTERNAL WOOD BURNER (#TERRACE3).....	20
Ø1800 WELLNESS HOT TUB WITH INTERNAL WOOD BURNER (#TERRACE4)	29
1900 X 1000 MM OFURO OVAL HOT TUB WITH EXTERNAL WOOD BURNER (#TERRACE5).....	37
Ø2000 WELLNESS HOT TUB WITH EXTERNAL WOOD BURNER (#TERRACE6).....	45
2200 X 2200 MM RECTANGULAR HOT TUB WITH EXTERNAL WOOD BURNER (#TERRACE7).....	53

TERRACE HOT TUB COMPARISON



TERRACE1

Volume - 1200L
 Diameter - 1600 mm
 Height - 960 mm
 No. of bathers - from 2 to 3
 Heater - internal



TERRACE2

Volume - 1650L
 Diameter - 1800 mm
 Height - 1100 mm
 No. of bathers - from 6 to 8
 Heater - external



TERRACE3

Volume - 1400L
 Diameter - 1800 mm
 Height - 950 mm
 No. of bathers - from 6 to 8
 Heater - external



TERRACE4

Volume - 1500L
 Diameter - 1800 mm
 Height - 850 mm
 No. of bathers - from 6 to 8
 Heater - internal



TERRACE5

Volume - 1000L
 Measurements - 1900 x 1000 mm
 Height - 920 mm
 No. of bathers - from 1 to 2
 Heater - external



TERRACE6

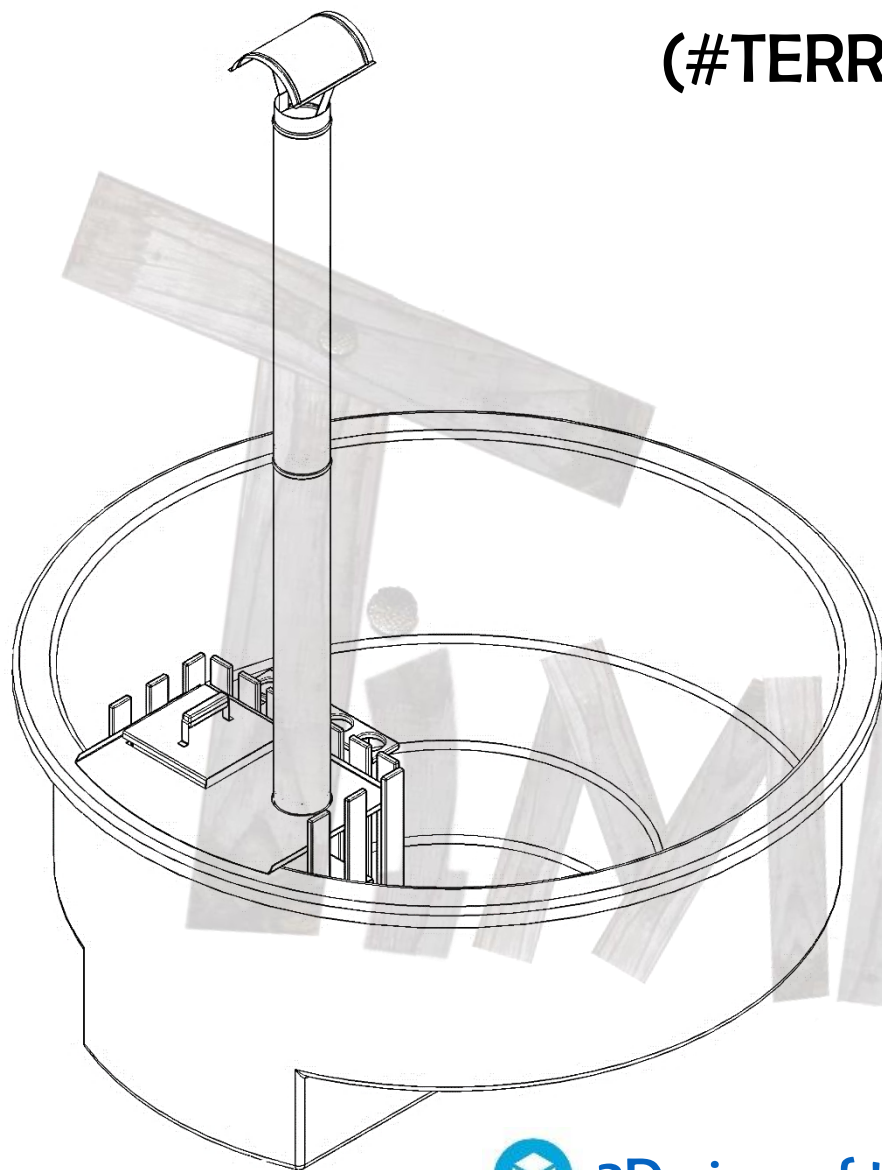
Volume - 1550L
 Diameter - 2000 mm
 Height - 870 mm
 No. of bathers - from 8 to 12
 Heater - external



TERRACE7

Volume - 1800L
 Measurements - 2200 x 2200 mm
 Height - 964 mm
 No. of bathers - from 8 to 14
 Heater - external

Ø1600 CLASSIC HOT TUB WITH INTERNAL WOOD BURNER (#TERRACE1)

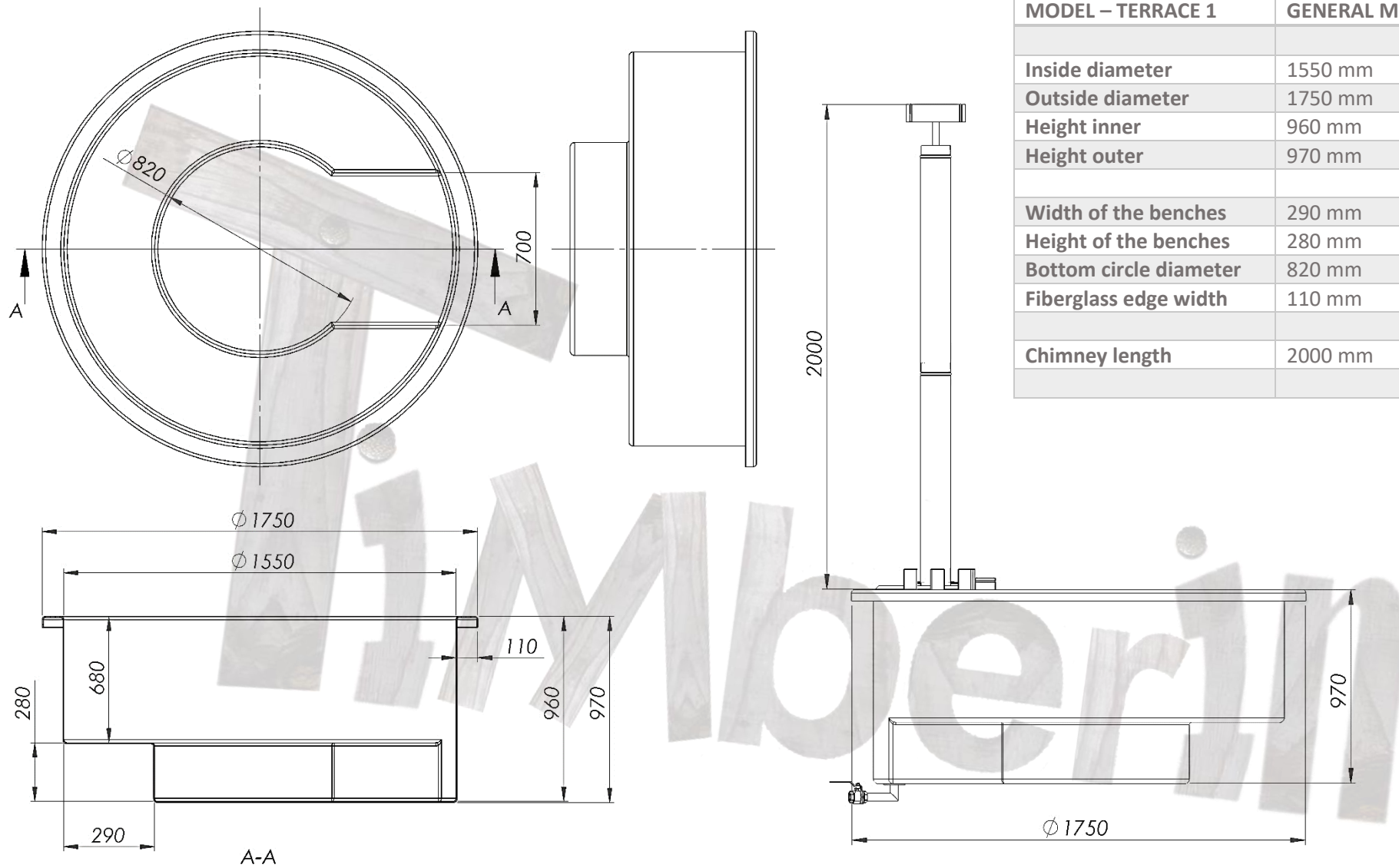


MODEL – TERRACE 1	CLASSIC HOT TUB WITH INTERNAL WOOD BURNER (Ø1600 MM)
No. of bathers	2 - 3
Water capacity	1200 l
Total weight of the hot tub	100 kg
LED	optional
HYDRO MASSAGE	optional
AIR MASSAGE	optional
FILTRATION	optional
ELECTRIC HEATER	optional
STAINLESS STEEL LID ON THE HEATER	optional
METAL FENCE ON THE CHIMNEY	optional
FIBERGLASS LID	Not available
LEATHER LID	Not available

 [3D view of this model](#)

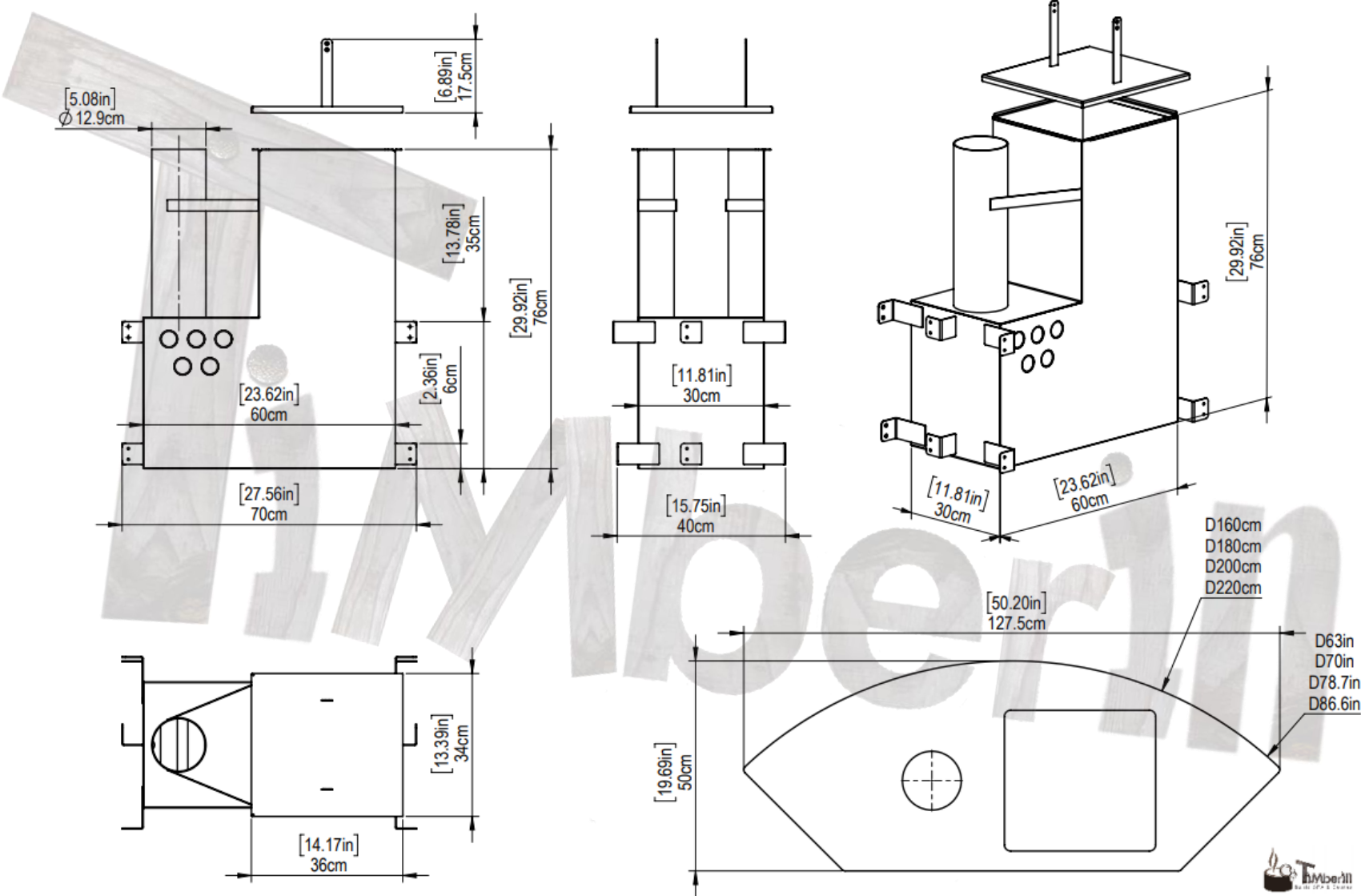
GENERAL INFO

MODEL – TERRACE 1	GENERAL MEASUREMENTS
Inside diameter	1550 mm
Outside diameter	1750 mm
Height inner	960 mm
Height outer	970 mm
Width of the benches	290 mm
Height of the benches	280 mm
Bottom circle diameter	820 mm
Fiberglass edge width	110 mm
Chimney length	2000 mm

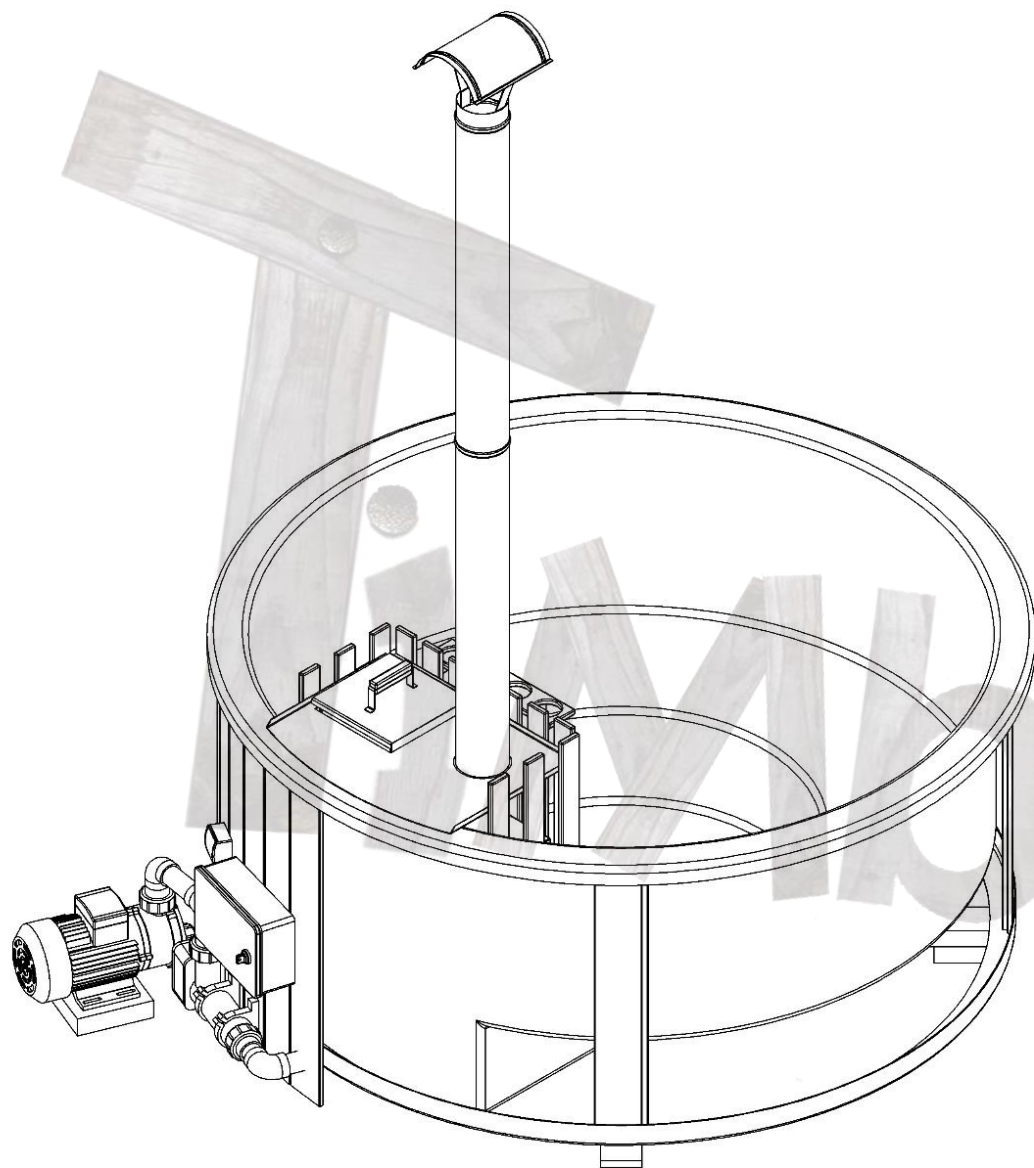


INTERNAL WOOD BURNER

BFTV M 18kW

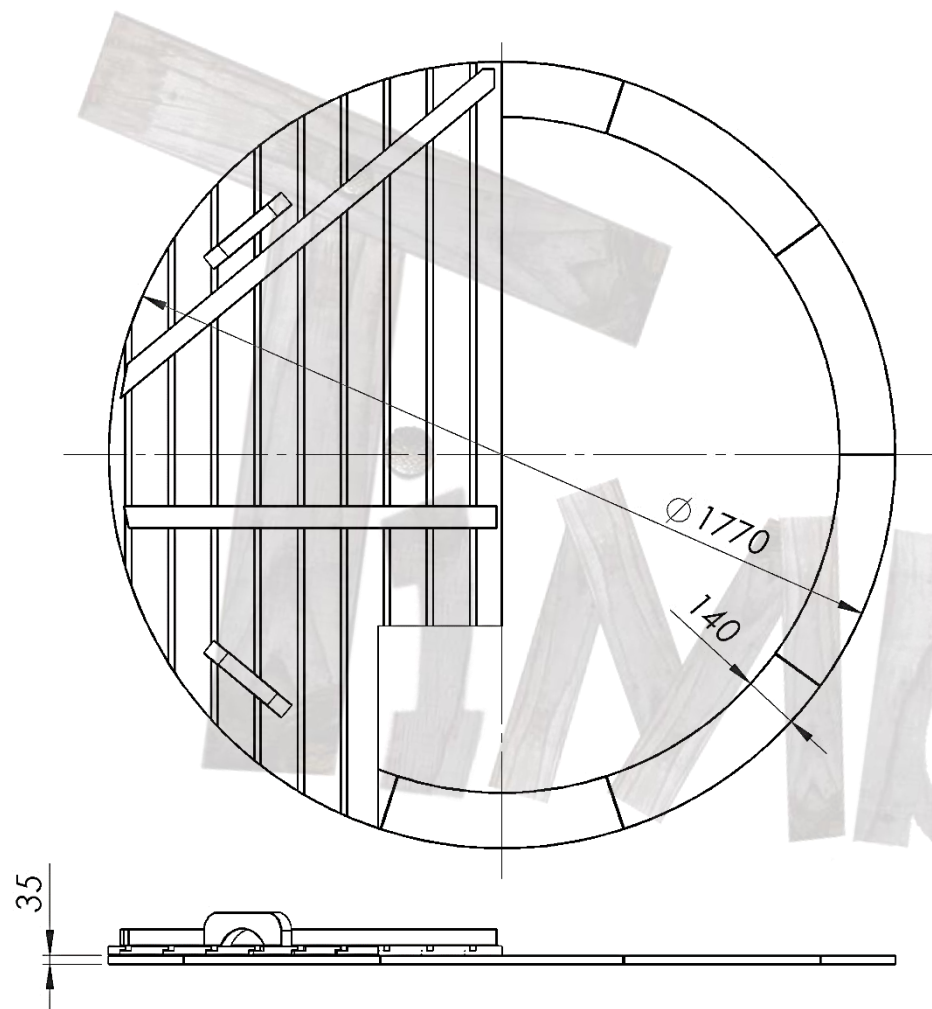


ELECTRIC HEATER (OPTIONAL)

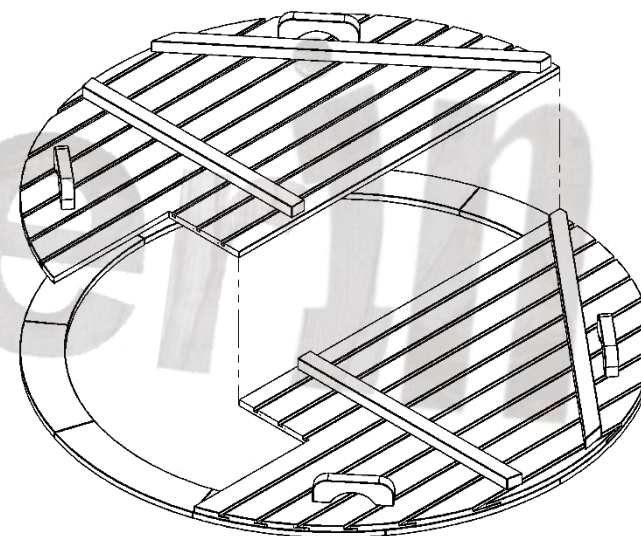


MODEL – TERRACE 1	ELECTRIC HEATER
ADJUSTABLE THERMOSTAT WITH TEMPERATURE RANGE	0-45° C
CONNECTION TYPES	6 kW; 1 phase; 220V; 32A 6 kW; 3 phases; 380V; 16A

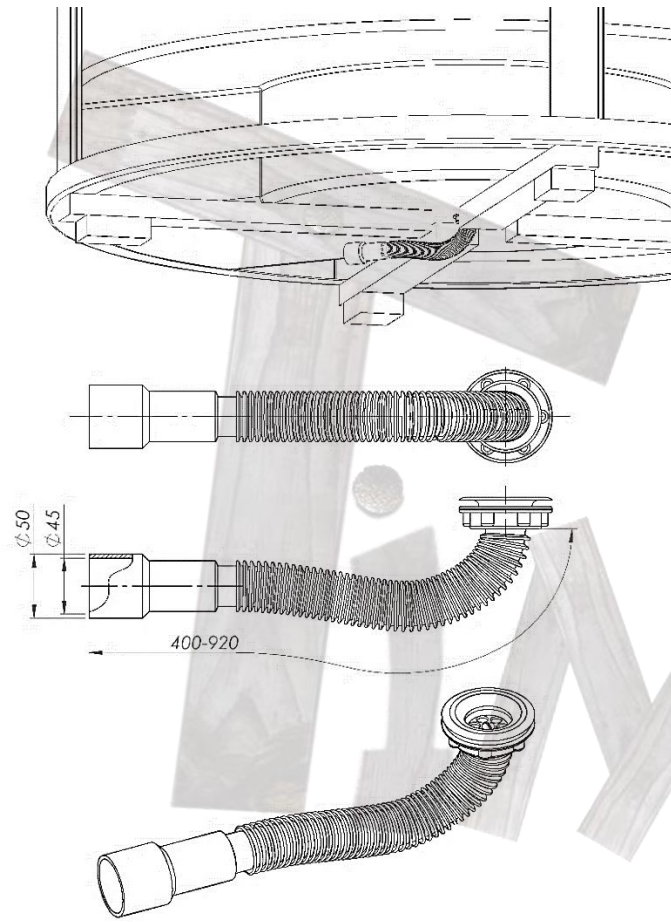
WOODEN LID + WOODEN ROUND EDGE (SILL)



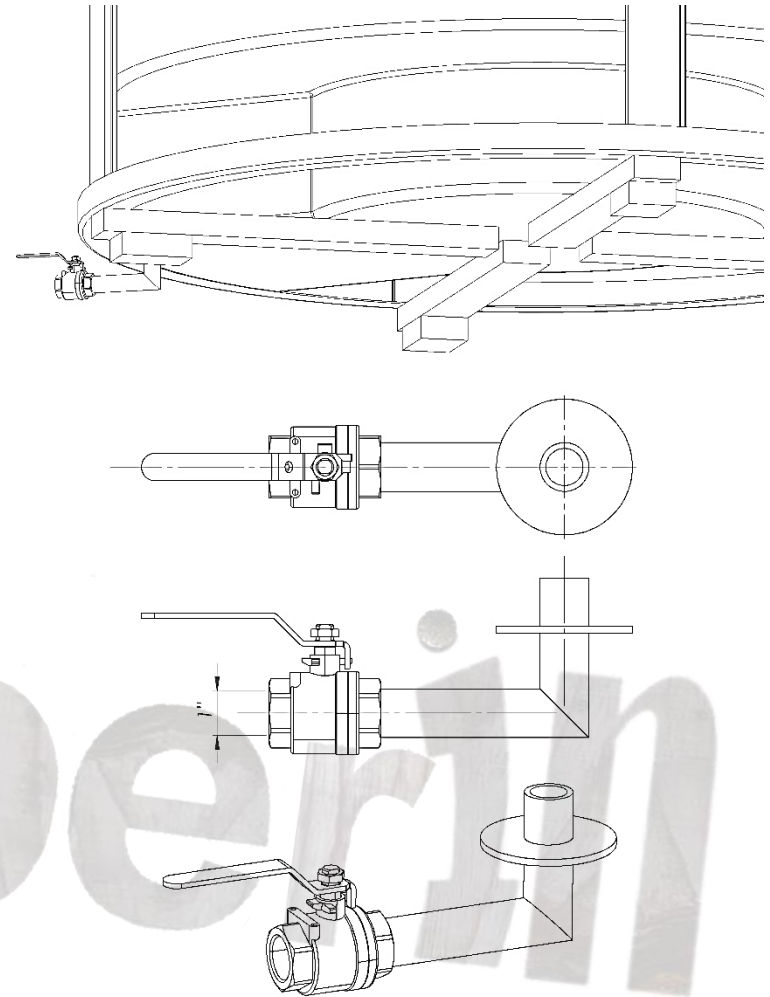
MODEL – TERRACE 1	WOODEN PARTS
Wooden lid diameter	1770 mm
Wooden lid insulation (if chosen)	30 mm
Wooden lid weight	40 kg
Wooden sill width	140 mm
Wood type	Spruce



WATER RELEASE

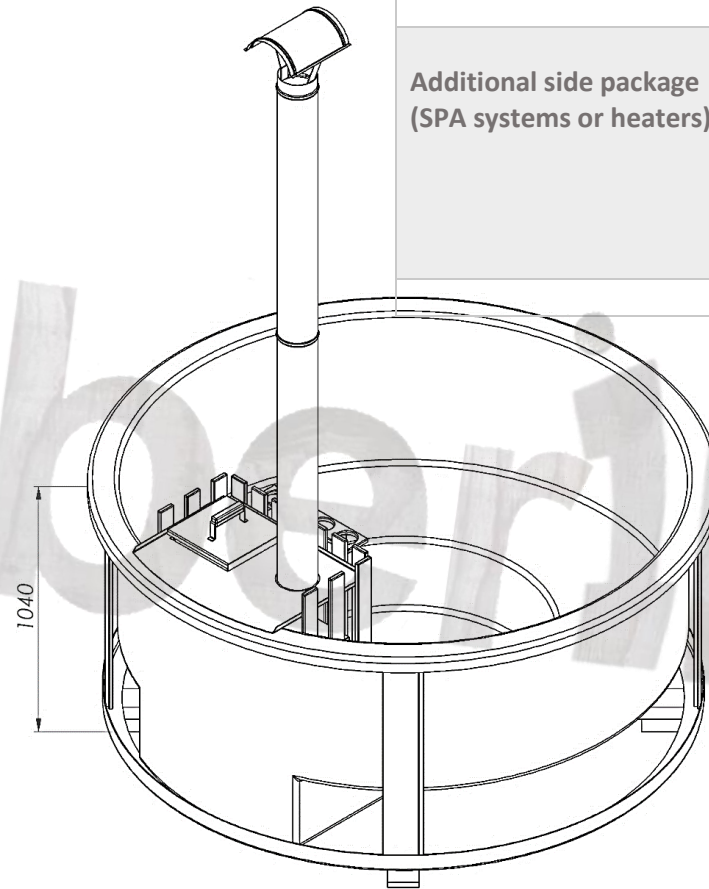
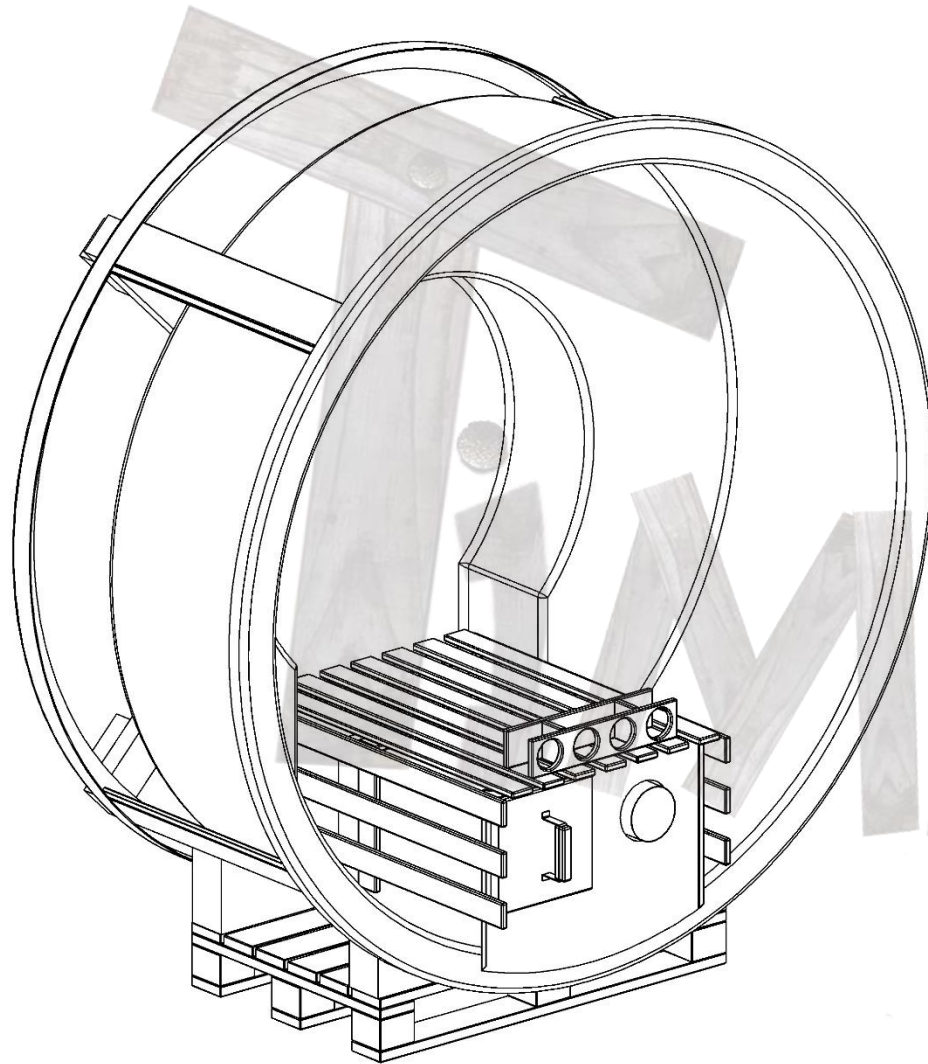


MODEL – TERRACE 1	WATER DRAIN
Water drain length	400-920 mm
Water drain inside diameter	45 mm
Water drain outside diameter	50 mm
Material	PVC



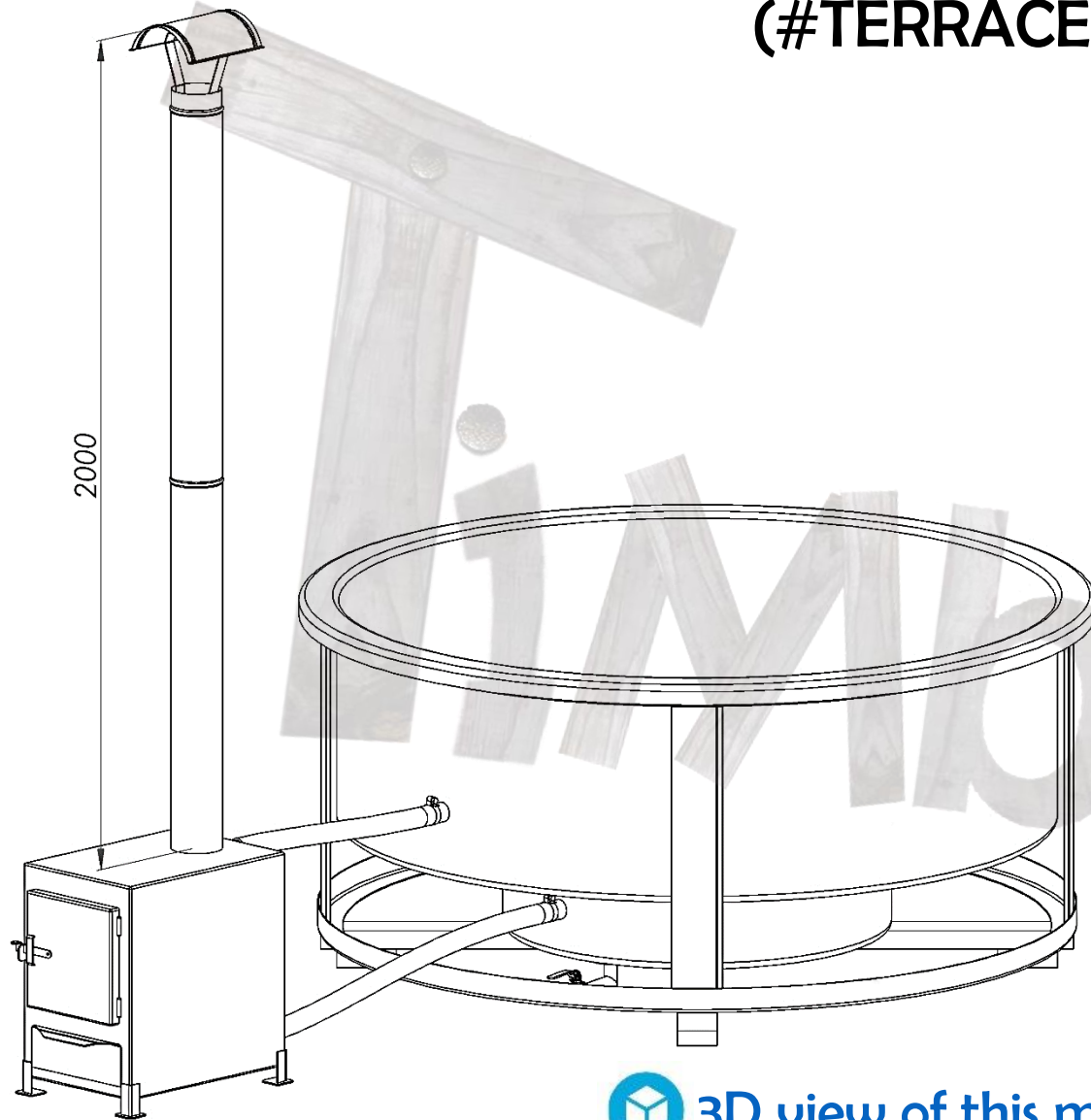
MODEL – TERRACE 1	EXTERNAL WATER TAP
External tap diameter	1 inch
Material	316 type of stainless steel

DELIVERY INFO



MODEL – TERRACE 1	DELIVERY INFO
On the wooden pallet packed model measurements:	Height: 2000 mm Width: 1300 mm Length: 1900 mm Weight 100 kg
Additional side package (SPA systems or heaters)	Height: 900 mm Width: 800 mm Length: 1000 mm Weight 15 - 50 kg

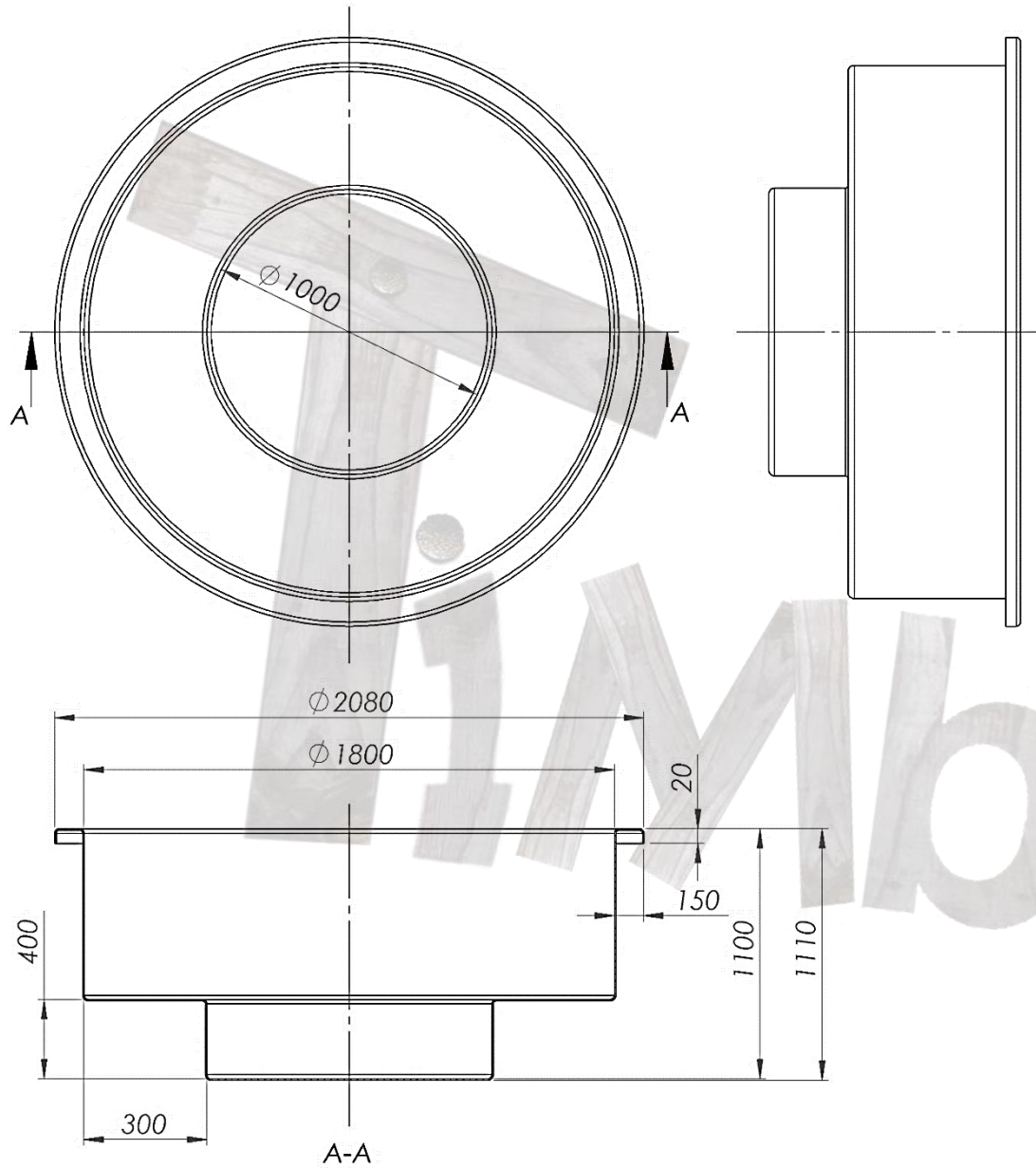
Ø1800 CLASSIC HOT TUB WITH EXTERNAL WOOD BURNER (#TERRACE2)



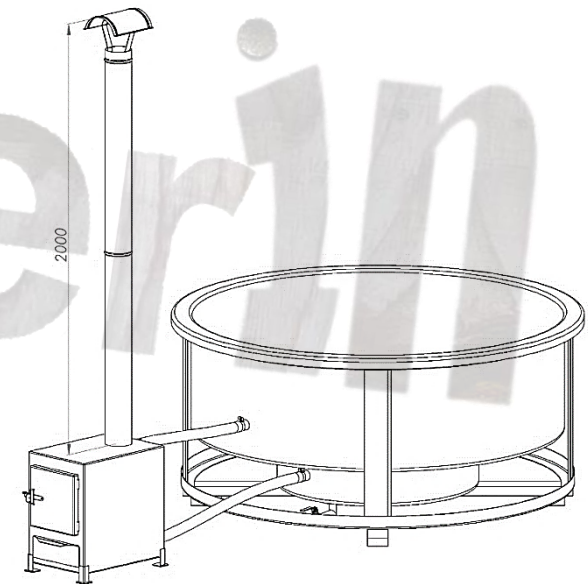
MODEL – TERRACE 2	CLASSIC HOT TUB WITH EXTERNAL WOOD BURNER (Ø1800 MM)
No. of bathers	6 - 8
Water capacity	1650 l
Total weight of the hot tub	100 kg
LED	optional
HYDRO MASSAGE	optional
AIR MASSAGE	optional
FILTRATION	optional
ELECTRIC HEATER	optional
METAL FENCE ON THE CHIMNEY	optional

 [3D view of this model](#)

GENERAL INFO

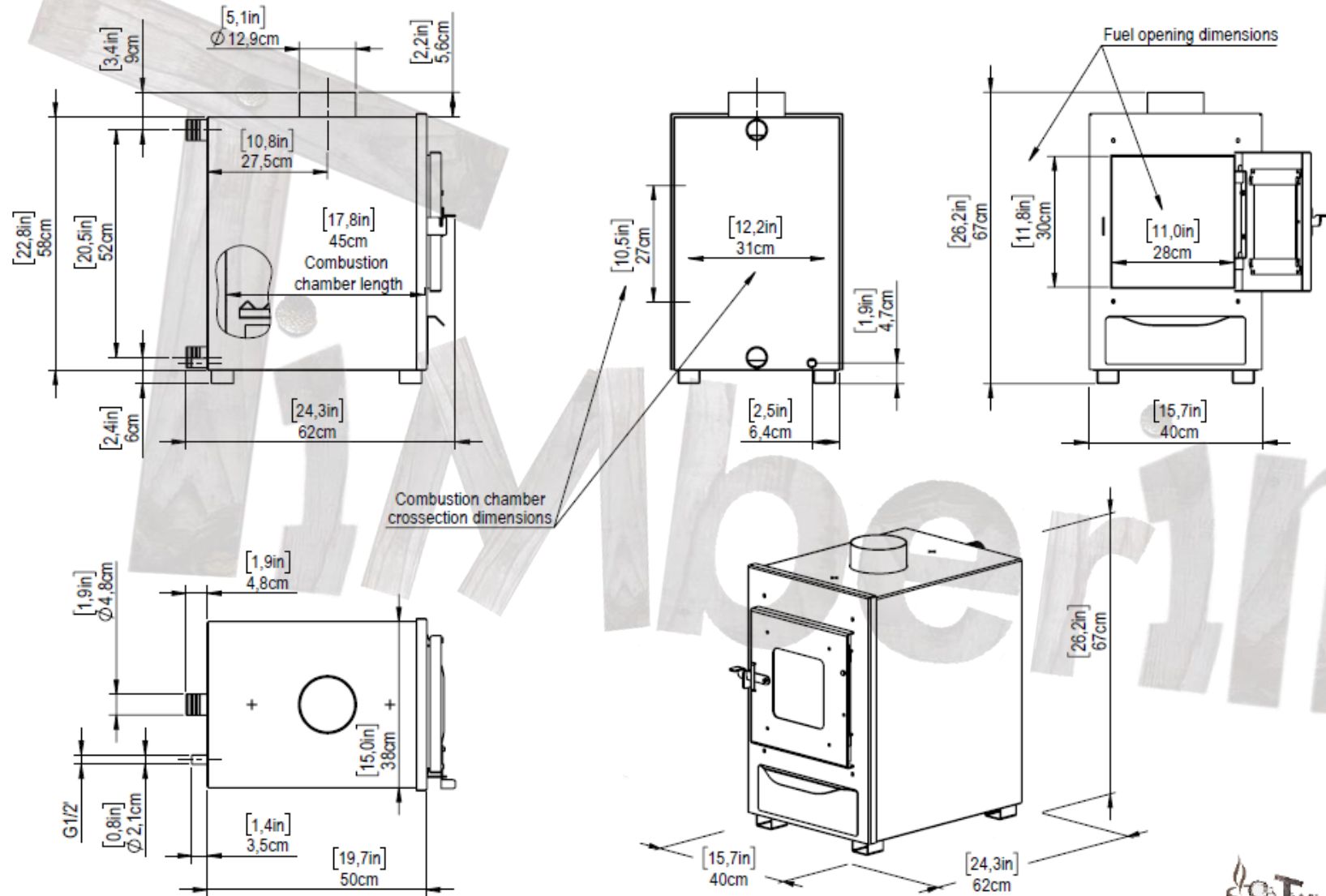


MODEL – TERRACE 2	GENERAL MEASUREMENTS
Inside diameter	1800 mm
Outside diameter	2080 mm
Height inner	1100 mm
Height outer	1110 mm
Width of the benches	300 mm
Height of the benches	400 mm
Bottom circle diameter	1000 mm
Fiberglass edge width	150 mm

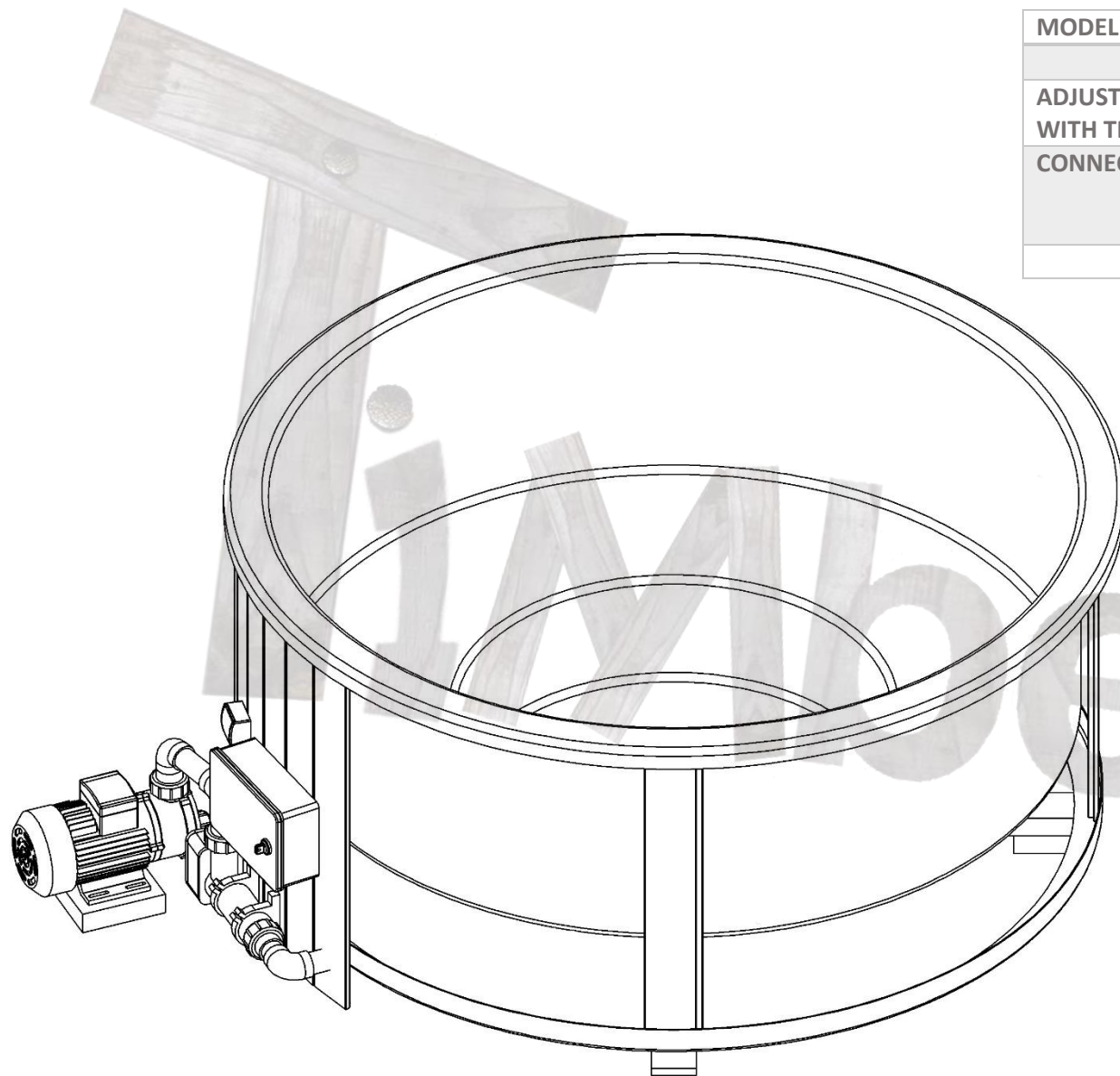


EXTERNAL WOOD BURNER

BFTS-50, 22kW

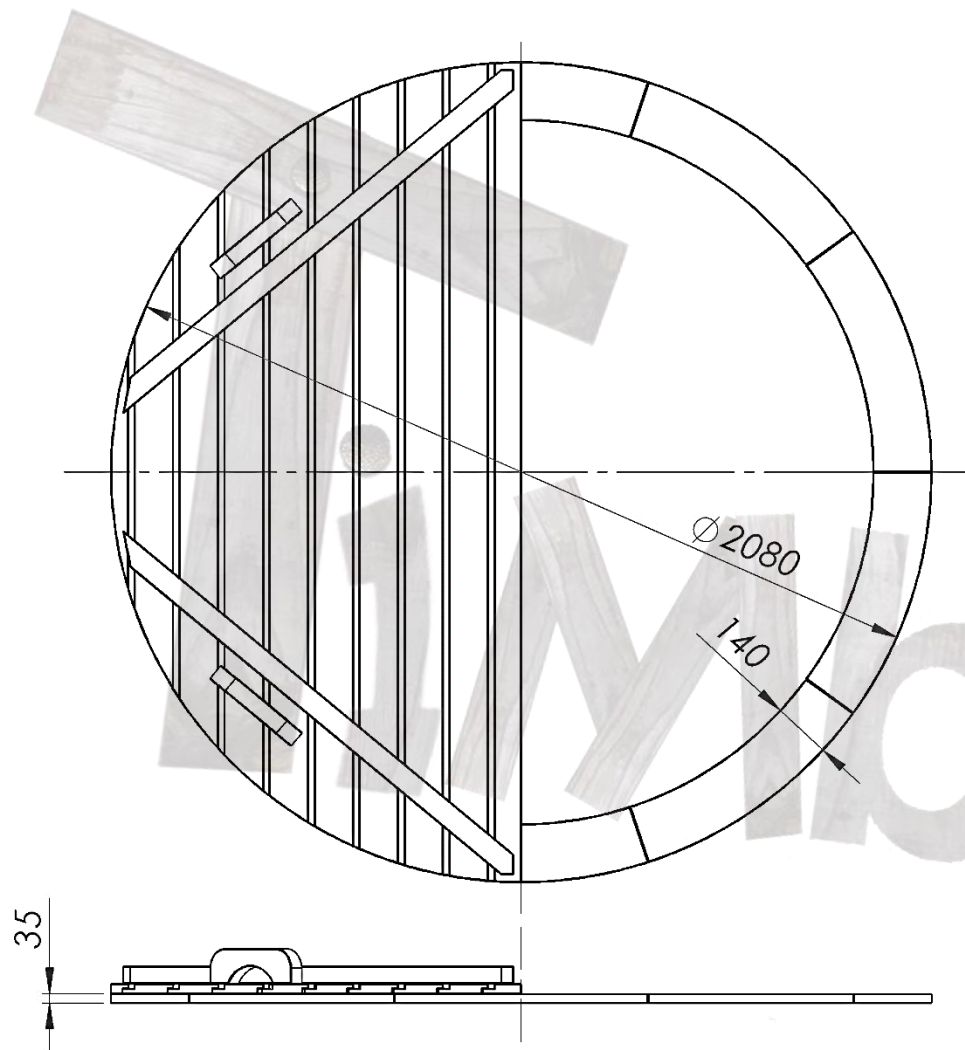


ELECTRIC HEATER (OPTIONAL)

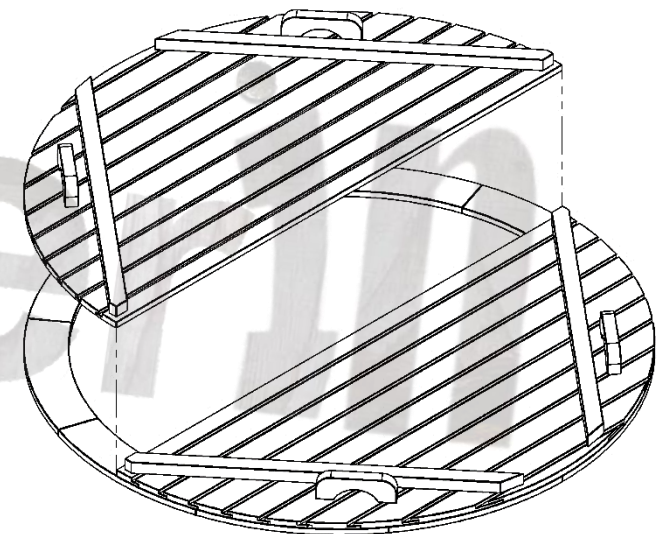


MODEL – TERRACE 2	ELECTRIC HEATER
ADJUSTABLE THERMOSTAT WITH TEMPERATURE RANGE	0-45° C
CONNECTION TYPES	6 kW; 1 phase; 220V; 32A
	6 kW; 3 phases; 380V; 16A

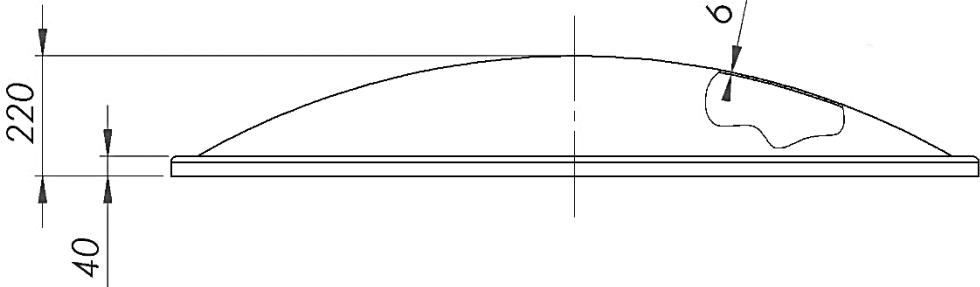
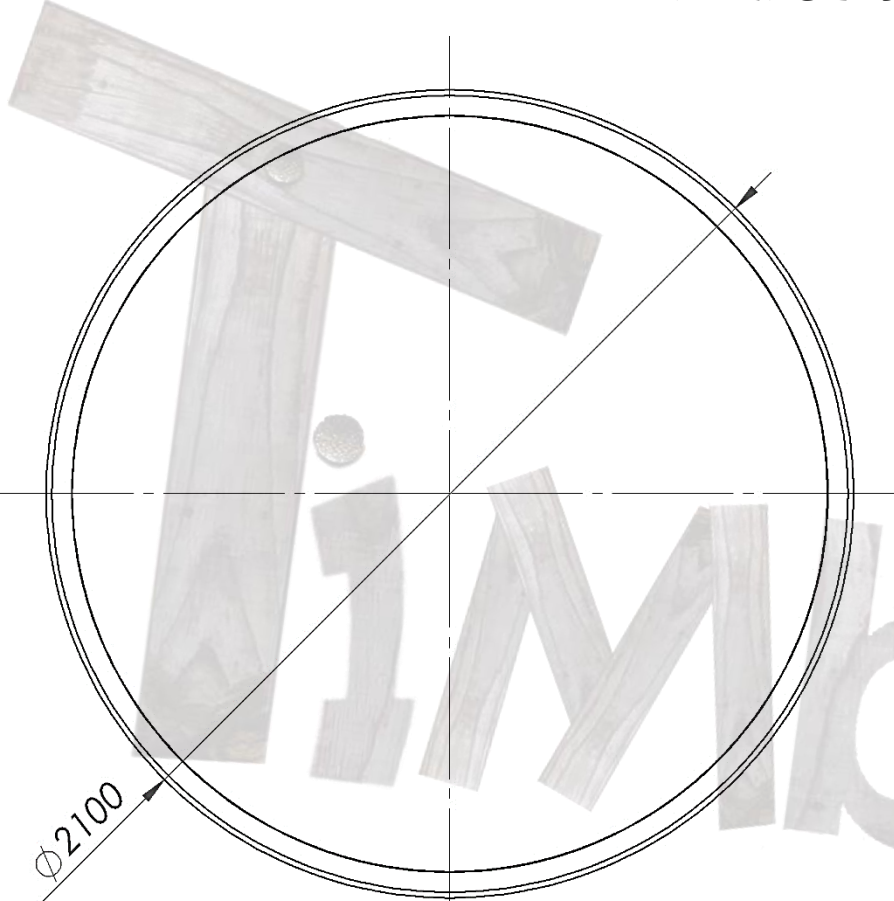
WOODEN LID + WOODEN ROUND EDGE (SILL)



MODEL – TERRACE 2	WOODEN PARTS
Wooden lid diameter	2080 mm
Wooden lid insulation (if chosen)	30 mm
Wooden lid weight	40 kg
Wooden sill width	140 mm
Wood type	Spruce



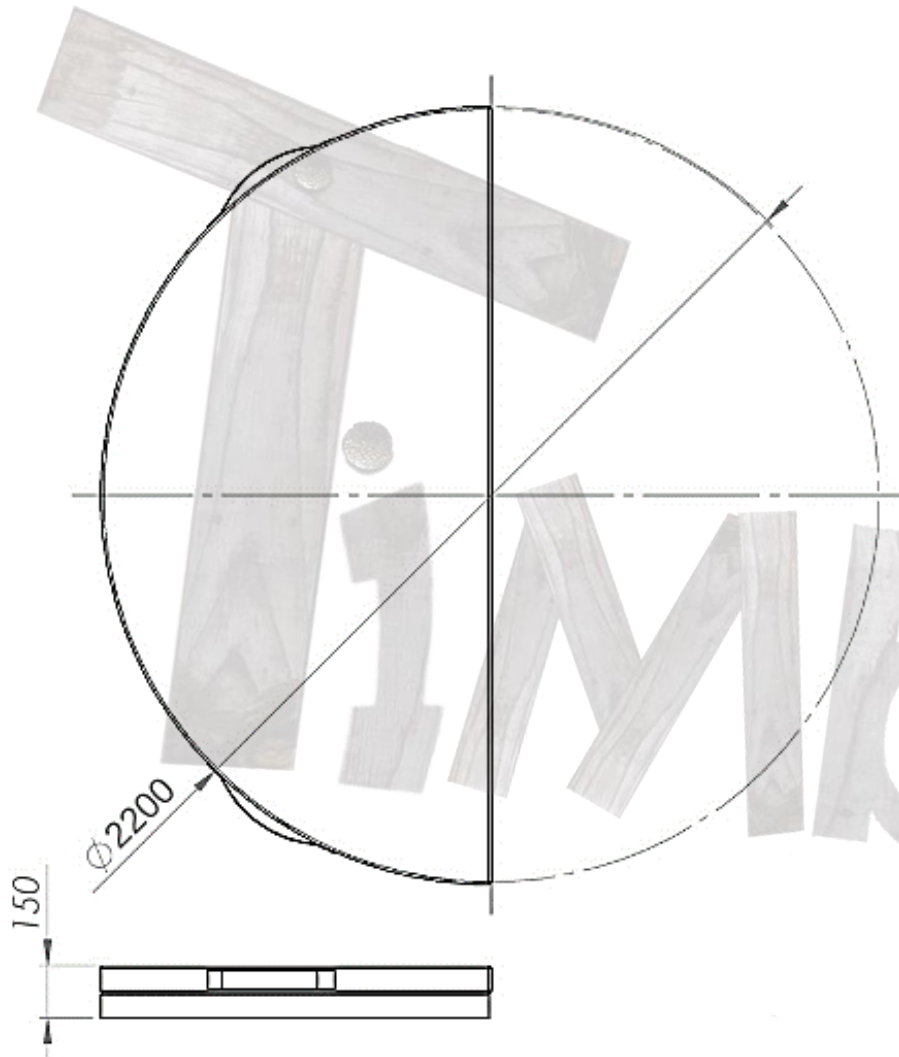
FIBERGLASS LID



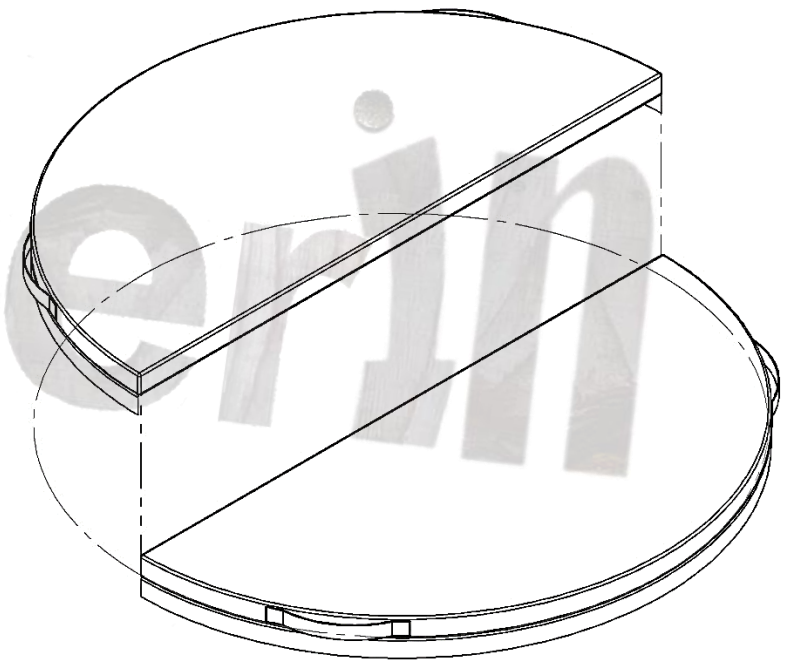
MODEL – TERRACE 2	FIBERGLASS LID
Lid diameter	2100 mm
Weight	30 kg
Insulation thickness (if chosen)	10 mm



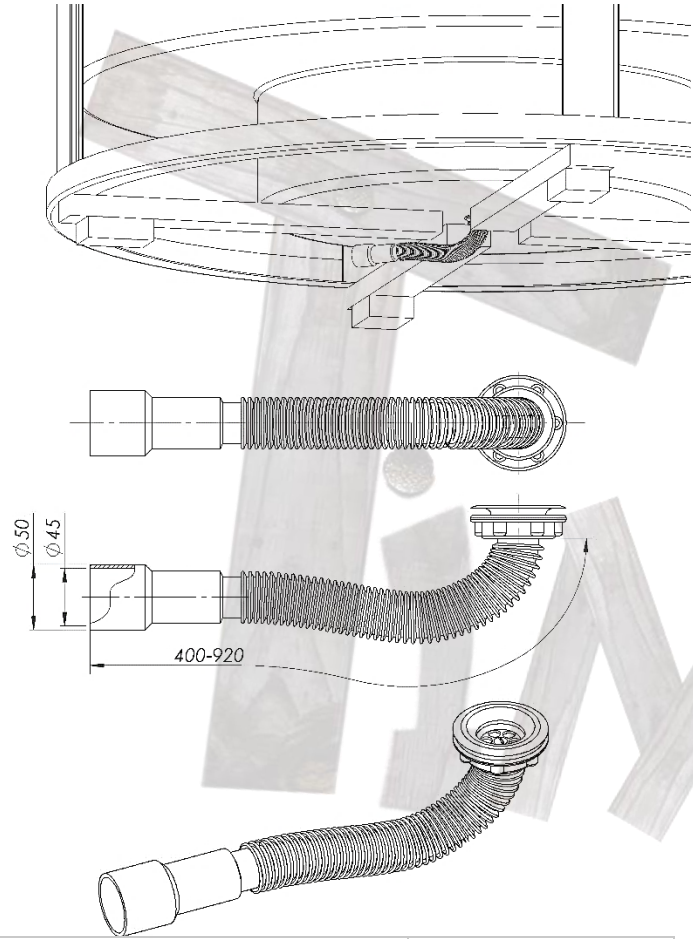
LEATHER LID



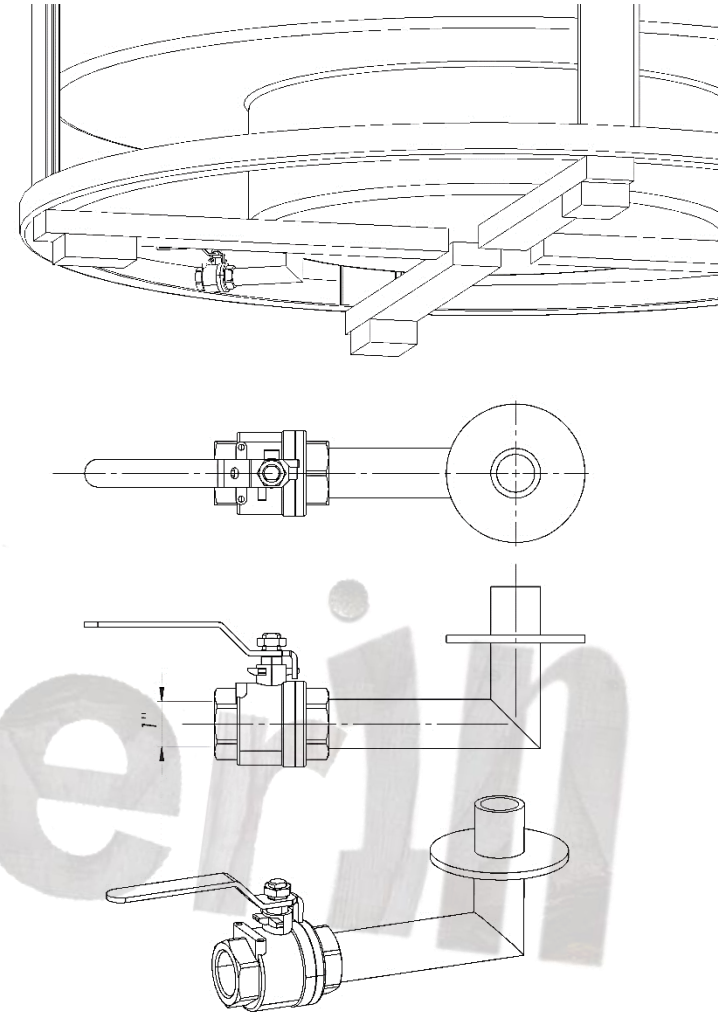
MODEL – TERRACE 2	LEATHER LID
Diameter	2200 mm
Weight	20 kg
Side leather overlay	150 mm
Insulation thickness	70 mm



WATER RELEASE

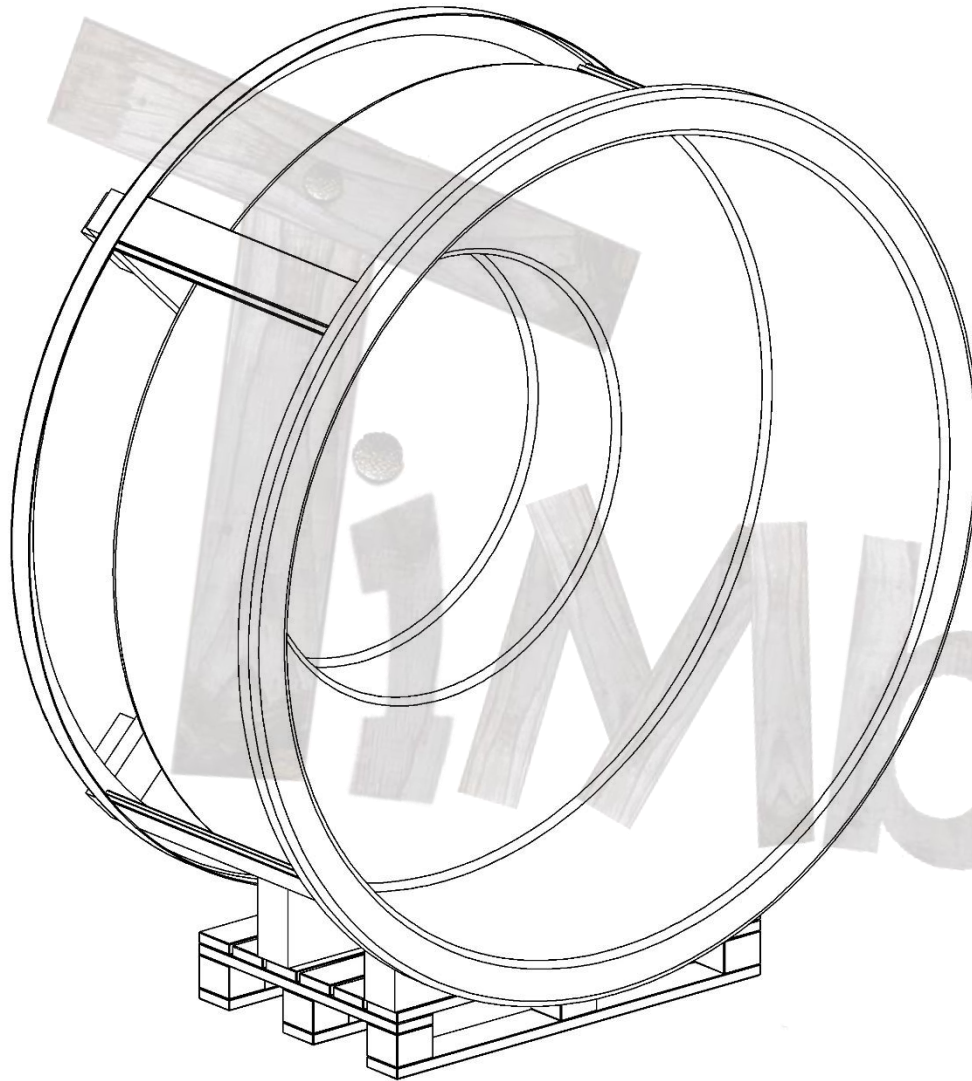


MODEL – TERRACE 2	WATER DRAIN
Water drain length	400-920 mm
Water drain inside diameter	45 mm
Water drain outside diameter	50 mm
Material	PVC

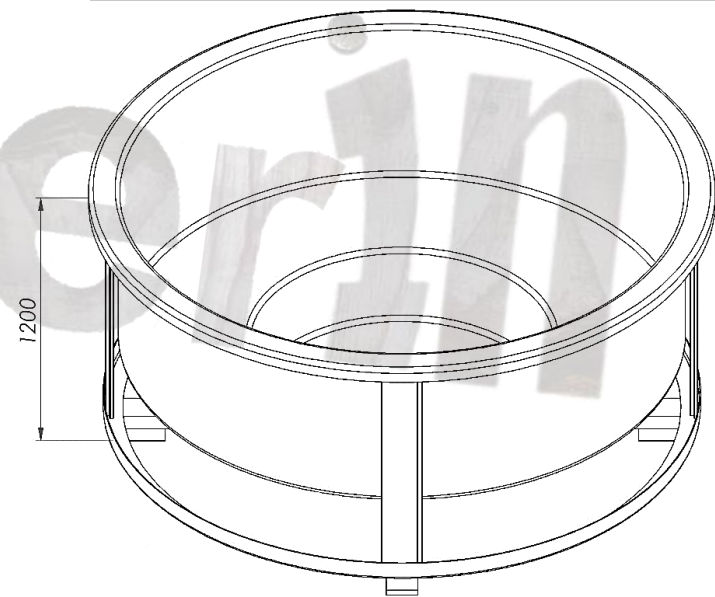


MODEL – TERRACE 2	EXTERNAL WATER TAP
External tap diameter	1 inch
Material	316 type of stainless steel

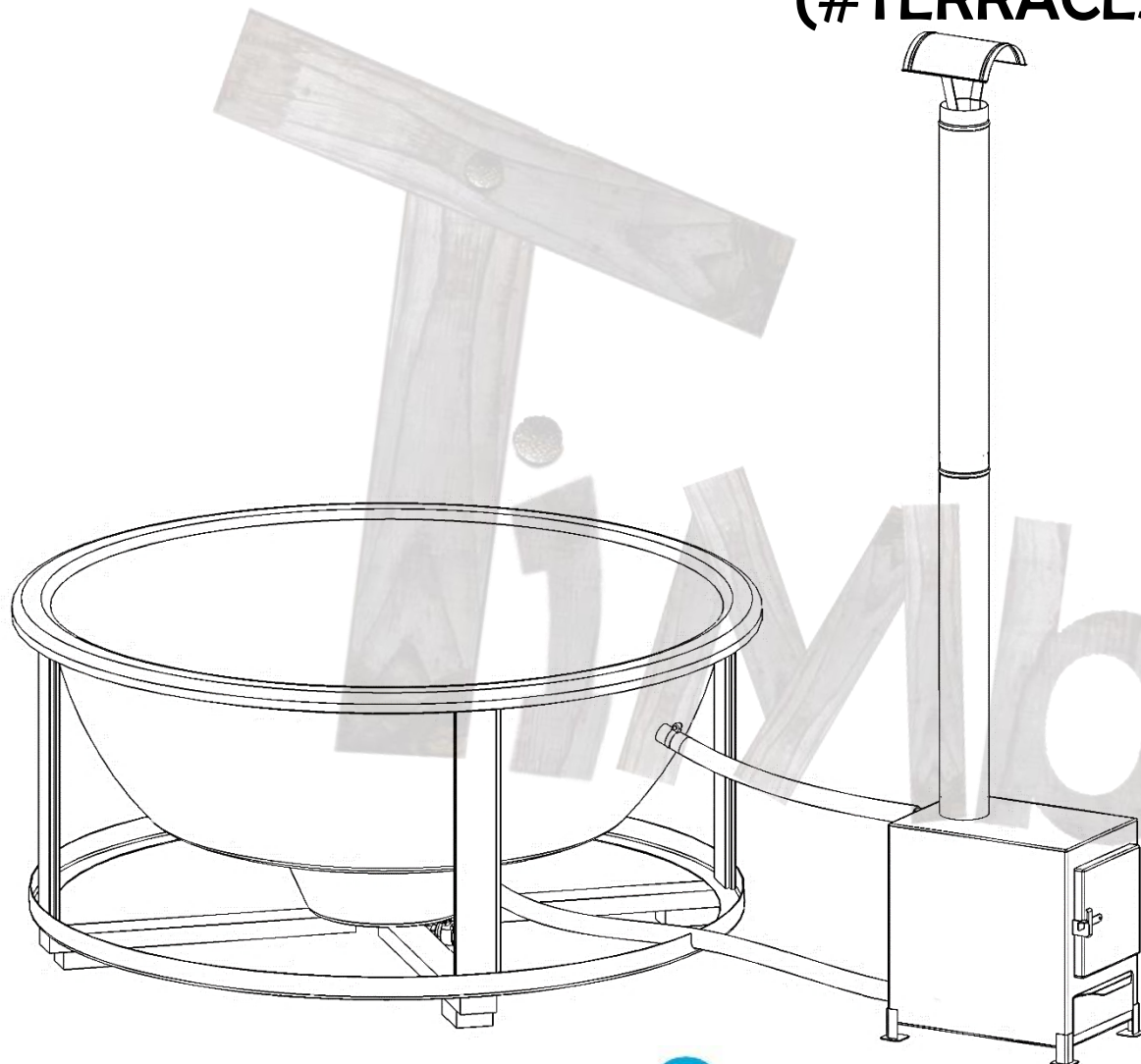
DELIVERY INFO



MODEL – TERRACE 2	DELIVERY INFO
On the wooden pallet packed model measurements:	Height: 2200 mm Width: 1300 mm Length: 2100 mm Weight 100 kg
Additional side package (SPA systems or heaters)	Height: 900 mm Width: 800 mm Length: 1000 mm Weight 15 - 50 kg



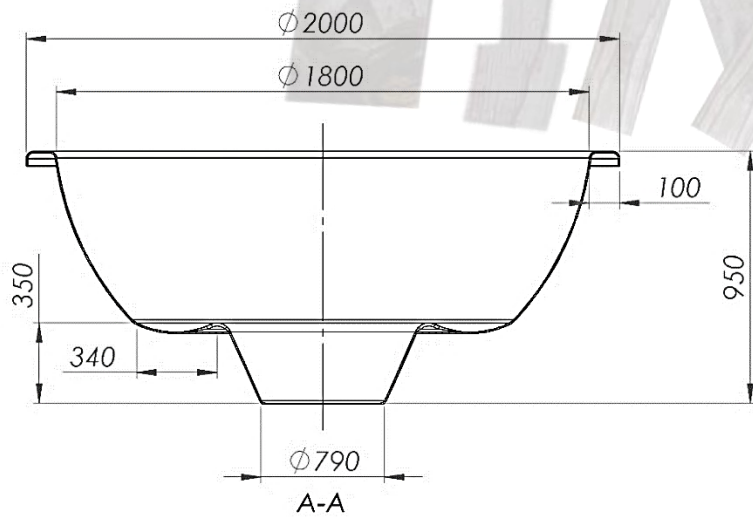
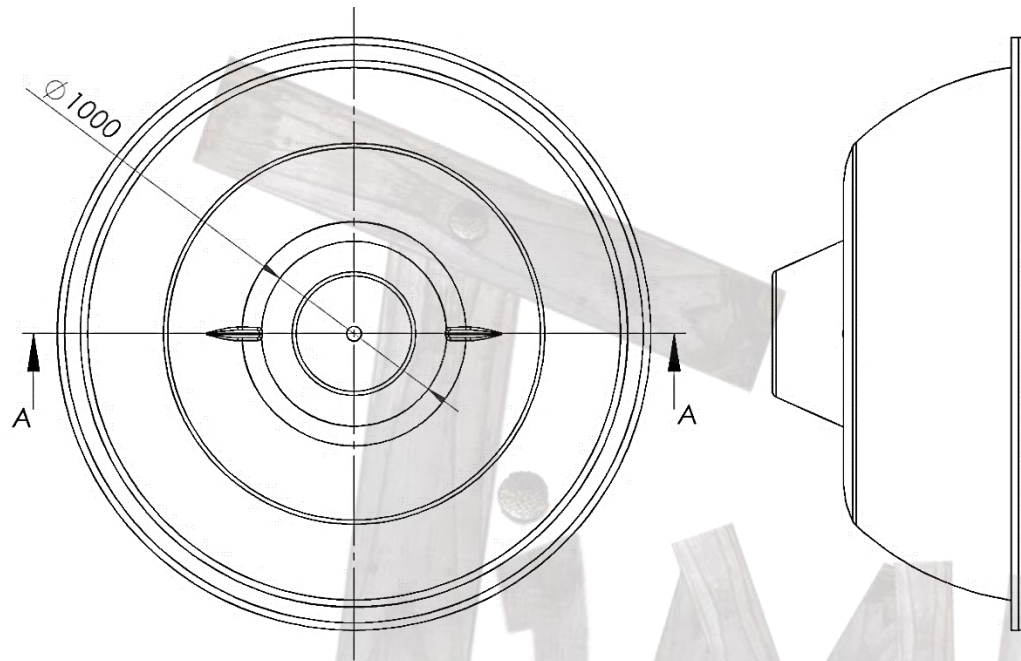
Ø1800 WELLNESS HOT TUB WITH EXTERNAL WOOD BURNER (#TERRACE3)



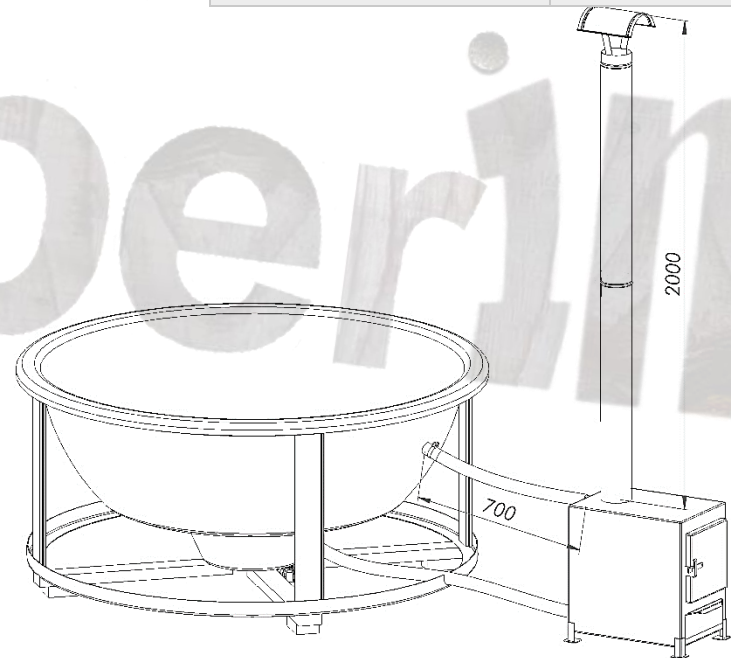
MODEL – TERRACE 3	WELLNESS HOT TUB WITH EXTERNAL WOOD BURNER (Ø1800 MM)
No. of bathers	6 - 8
Water capacity	1400 l
Total weight of the hot tub	100 kg
LED	optional
HYDRO MASSAGE	optional
AIR MASSAGE	optional
FILTRATION	optional
ELECTRIC HEATER	optional
METAL FENCE ON THE CHIMNEY	optional

 [3D view of this model](#)

GENERAL INFO

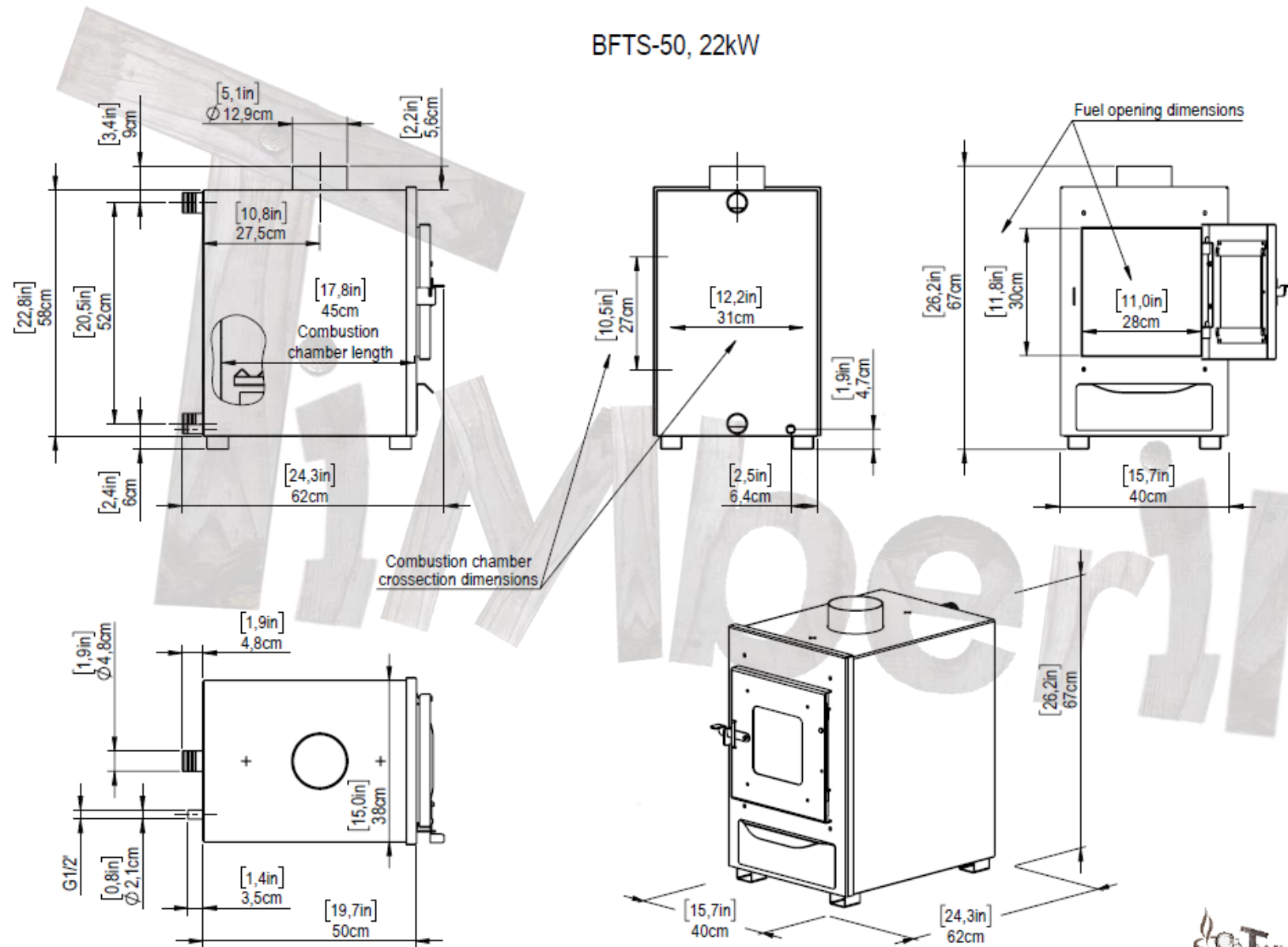


MODEL – TERRACE 3	GENERAL MEASUREMENTS
Inside diameter	1800 mm
Outside diameter	2000 mm
Height inner	950 mm
Height outer	960 mm
Width of the benches	340 mm
Height of the benches	350 mm
Bottom circle diameter	790 mm
Fiberglass edge width	100 mm
Chimney length	2000 mm

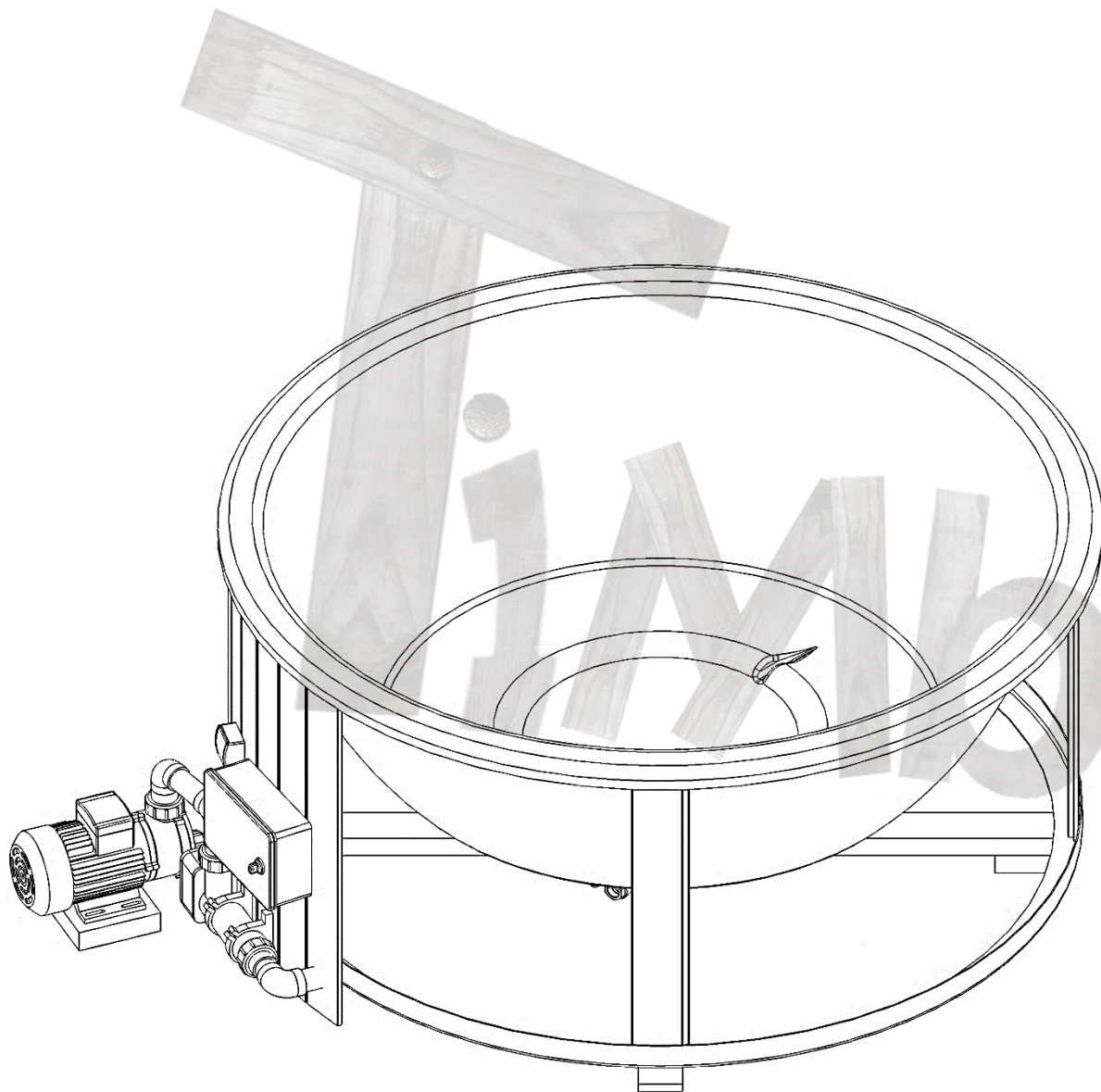


EXTERNAL WOOD BURNER

BFTS-50, 22kW

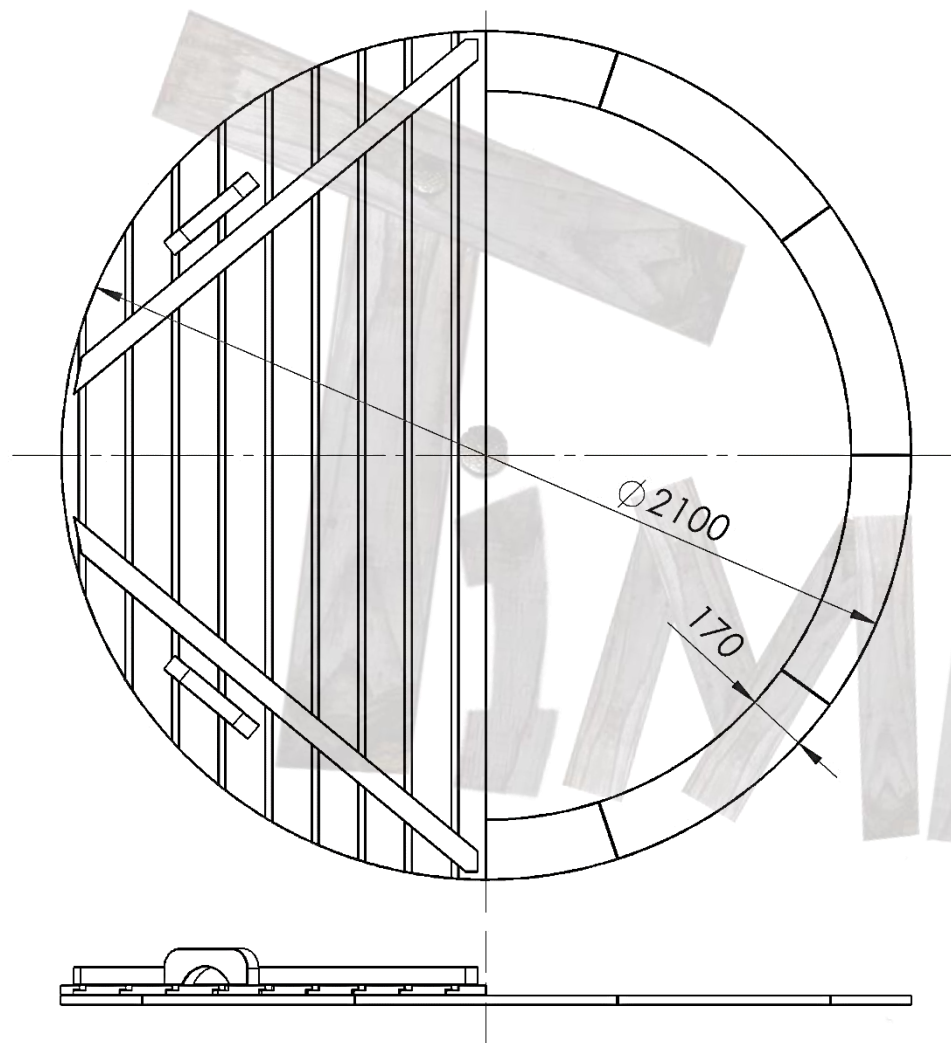


ELECTRIC HEATER (OPTIONAL)

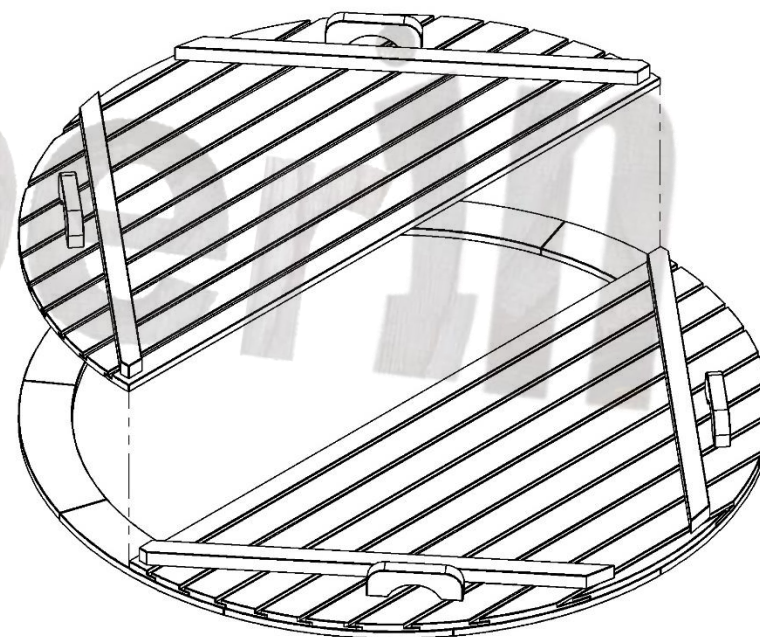


MODEL – TERRACE 3	ELECTRIC HEATER
ADJUSTABLE THERMOSTAT WITH TEMPERATURE RANGE	0-45° C
CONNECTION TYPES	6 kW; 1 phase; 220V; 32A 6 kW; 3 phases; 380V; 16A

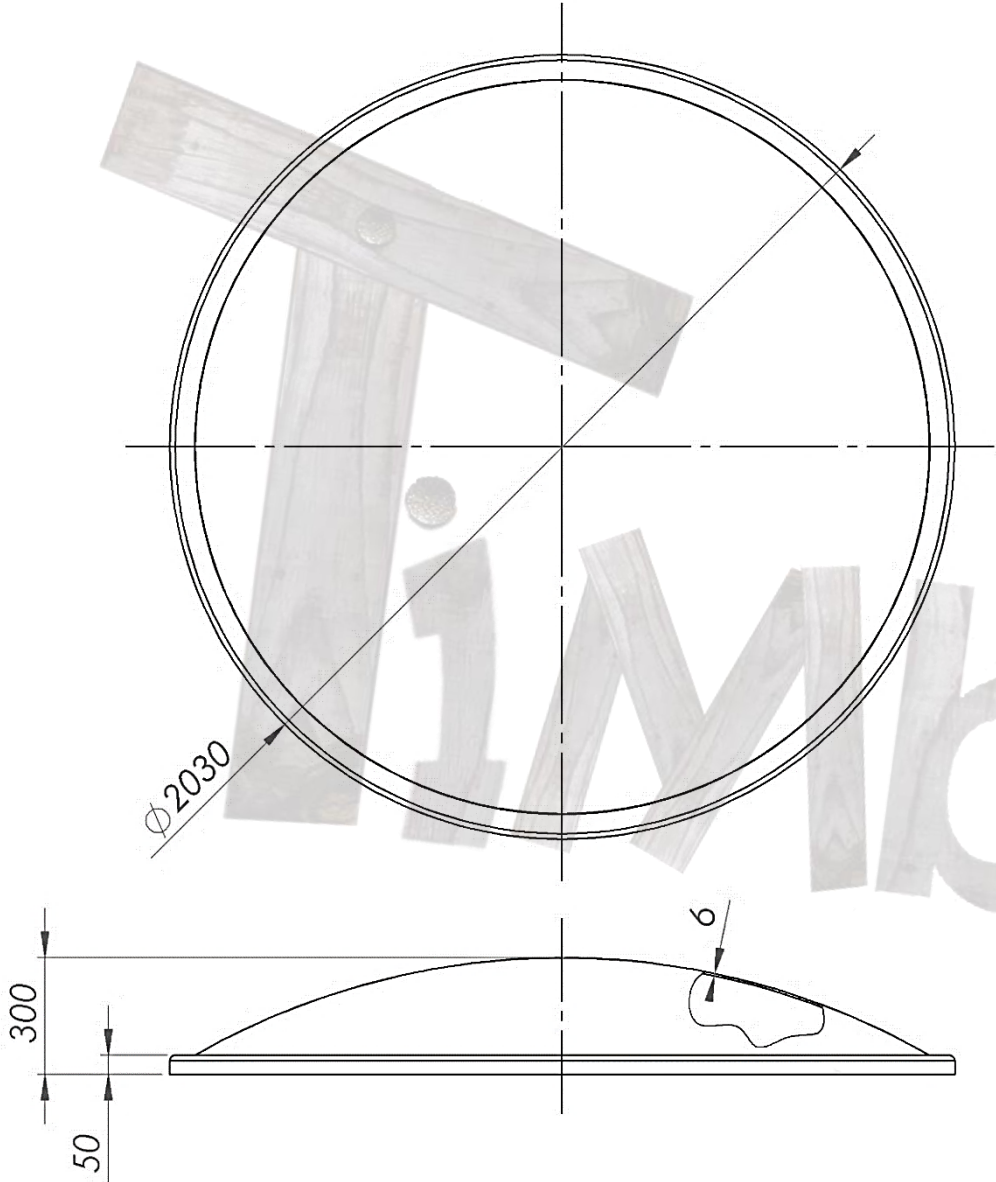
WOODEN LID + WOODEN ROUND EDGE (SILL)



MODEL – TERRACE 3	WOODEN PARTS
Wooden lid diameter	2100 mm
Wooden lid insulation (if chosen)	30 mm
Wooden lid weight	40 kg
Wooden sill width	170 mm
Wood type	Spruce



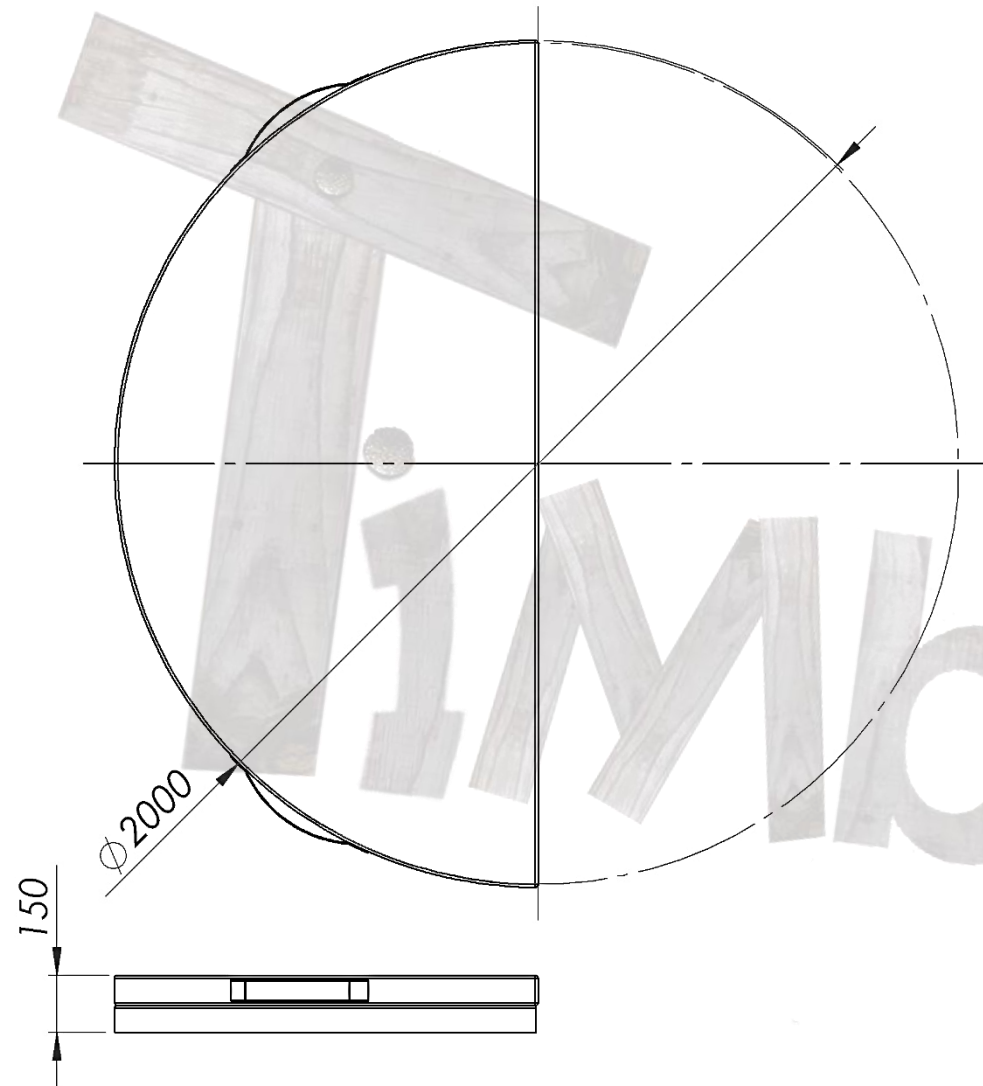
FIBERGLASS LID



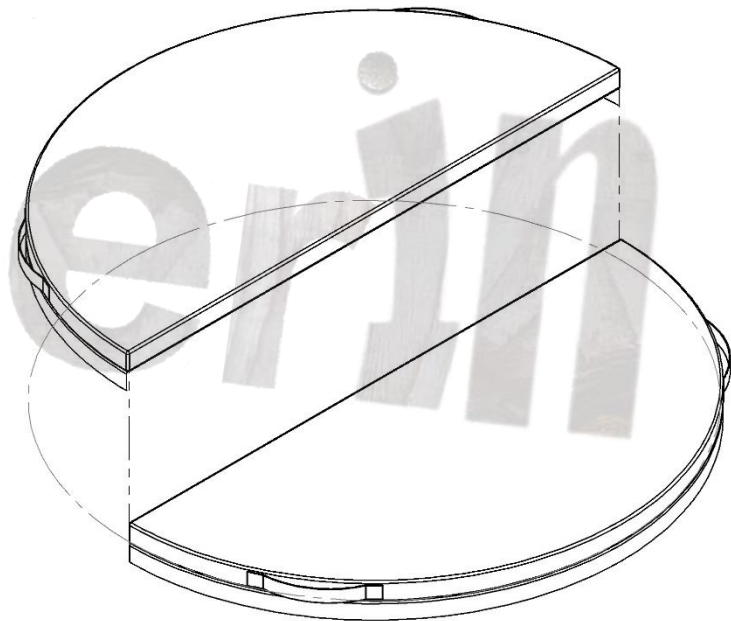
MODEL – TERRACE 3	FIBERGLASS LID
Lid diameter	2030 mm
Weight	30 kg
Insulation thickness (if chosen)	10 mm



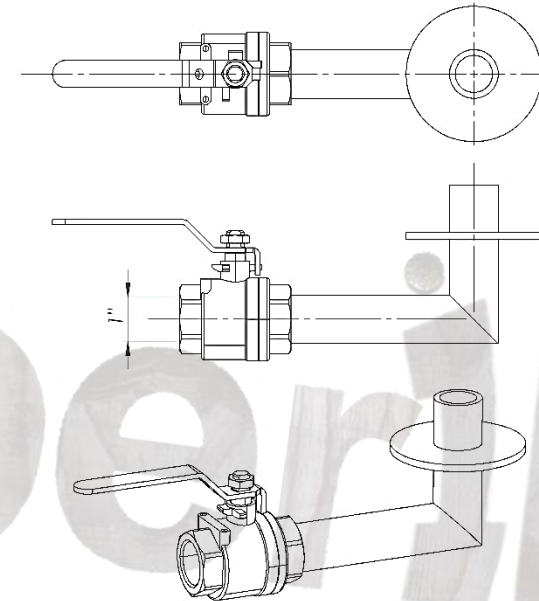
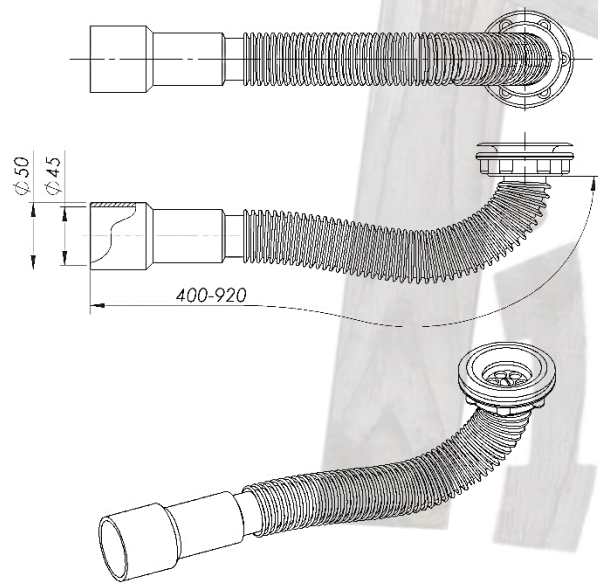
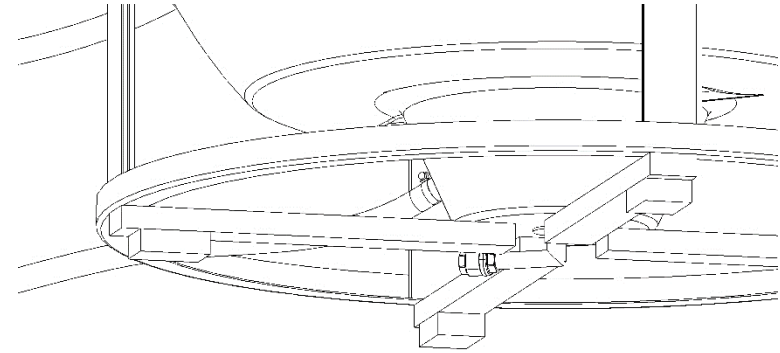
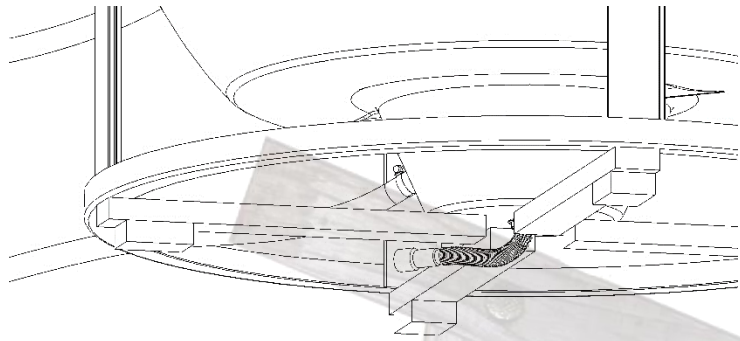
LEATHER LID



MODEL – TERRACE 3	LEATHER LID
Diameter	2000 mm
Weight	20 kg
Side leather overlay	150 mm
Insulation thickness	70 mm



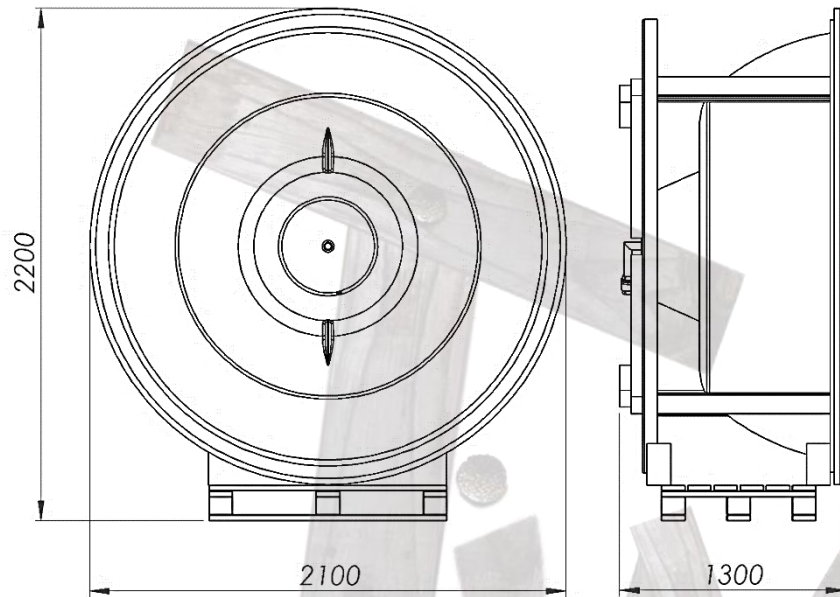
WATER RELEASE



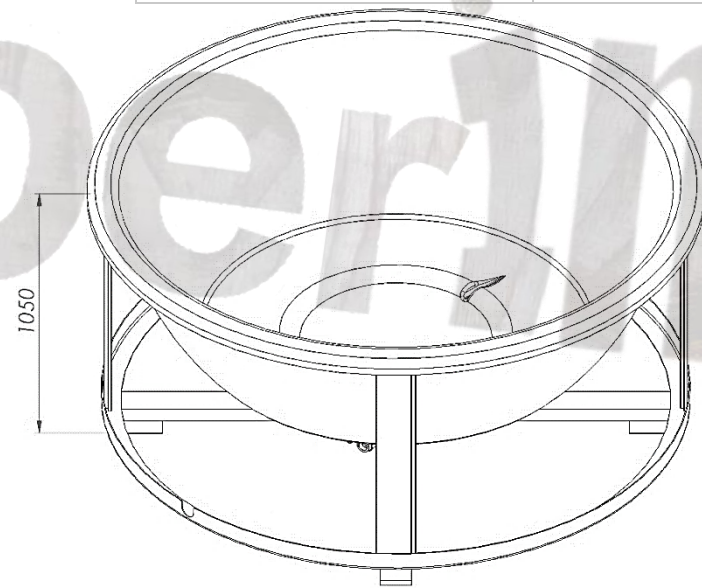
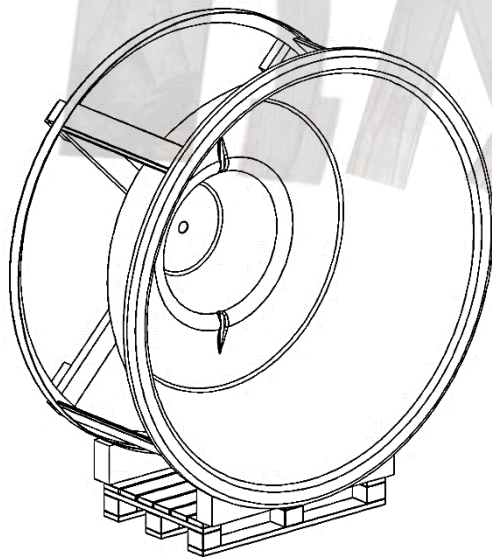
MODEL – TERRACE 3	WATER DRAIN
Water drain length	400-920 mm
Water drain inside diameter	45 mm
Water drain outside diameter	50 mm
Material	PVC

MODEL – TERRACE 3	EXTERNAL WATER TAP
External tap diameter	1 inch
Material	316 type of stainless steel

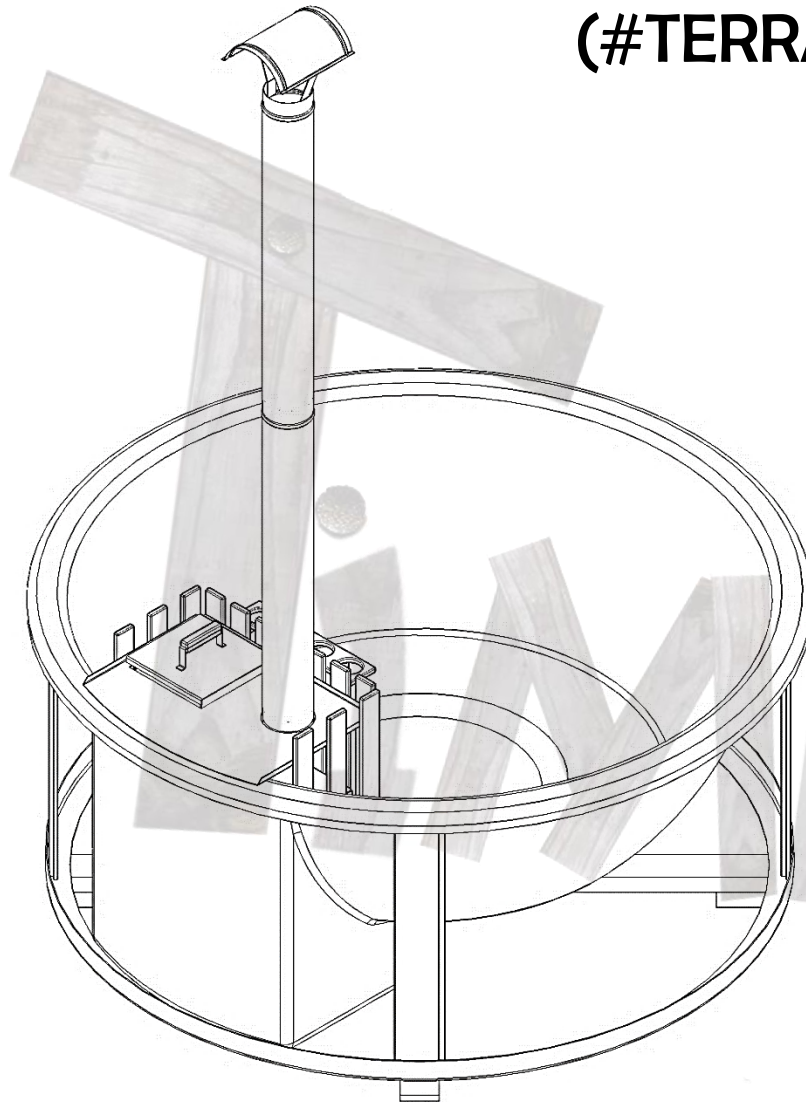
DELIVERY INFO



MODEL – TERRACE 3	DELIVERY INFO
On the wooden pallet packed model measurements:	Height: 2200 mm Width: 1300 mm Length: 2100 mm Weight 100 kg
Additional side package (SPA systems or heaters)	Height: 900 mm Width: 800 mm Length: 1000 mm Weight 15 - 50 kg



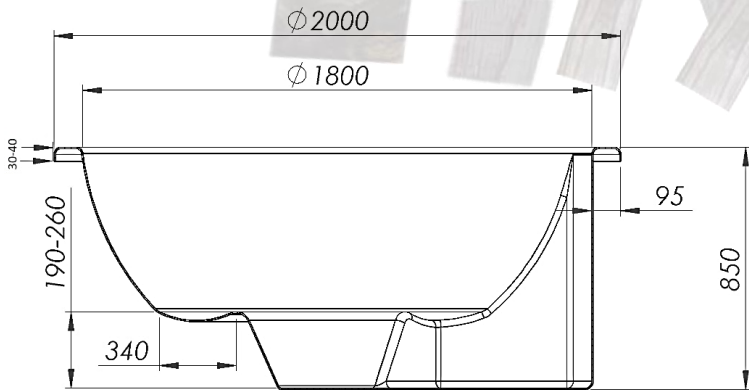
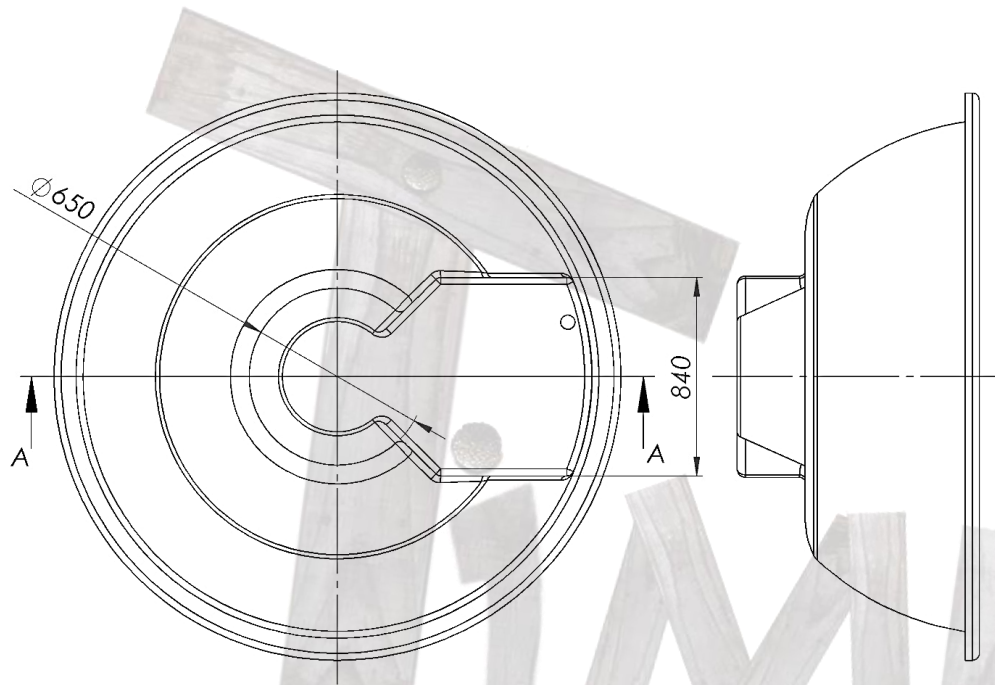
Ø1800 WELLNESS HOT TUB WITH INTERNAL WOOD BURNER (#TERRACE4)



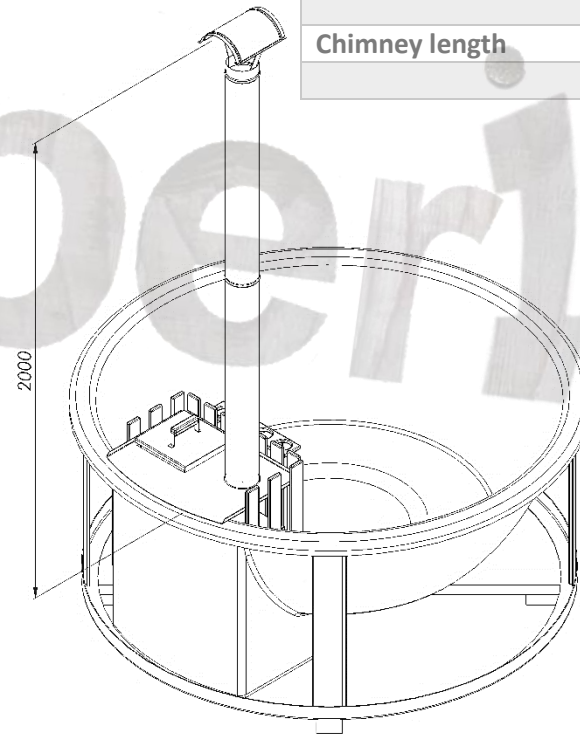
MODEL – TERRACE 4	WELLNESS HOT TUB WITH INTERNAL WOOD BURNER (Ø1800 MM)
No. of bathers	6 - 8
Water capacity	1500 l
Total weight of the hot tub	100 kg
LED	optional
HYDRO MASSAGE	optional
AIR MASSAGE	optional
FILTRATION	optional
ELECTRIC HEATER	optional
STAINLESS STEEL LID ON THE HEATER	optional
METAL FENCE ON THE CHIMNEY	optional
LEATHER LID	Not available

 [3D view of this model](#)

GENERAL INFO



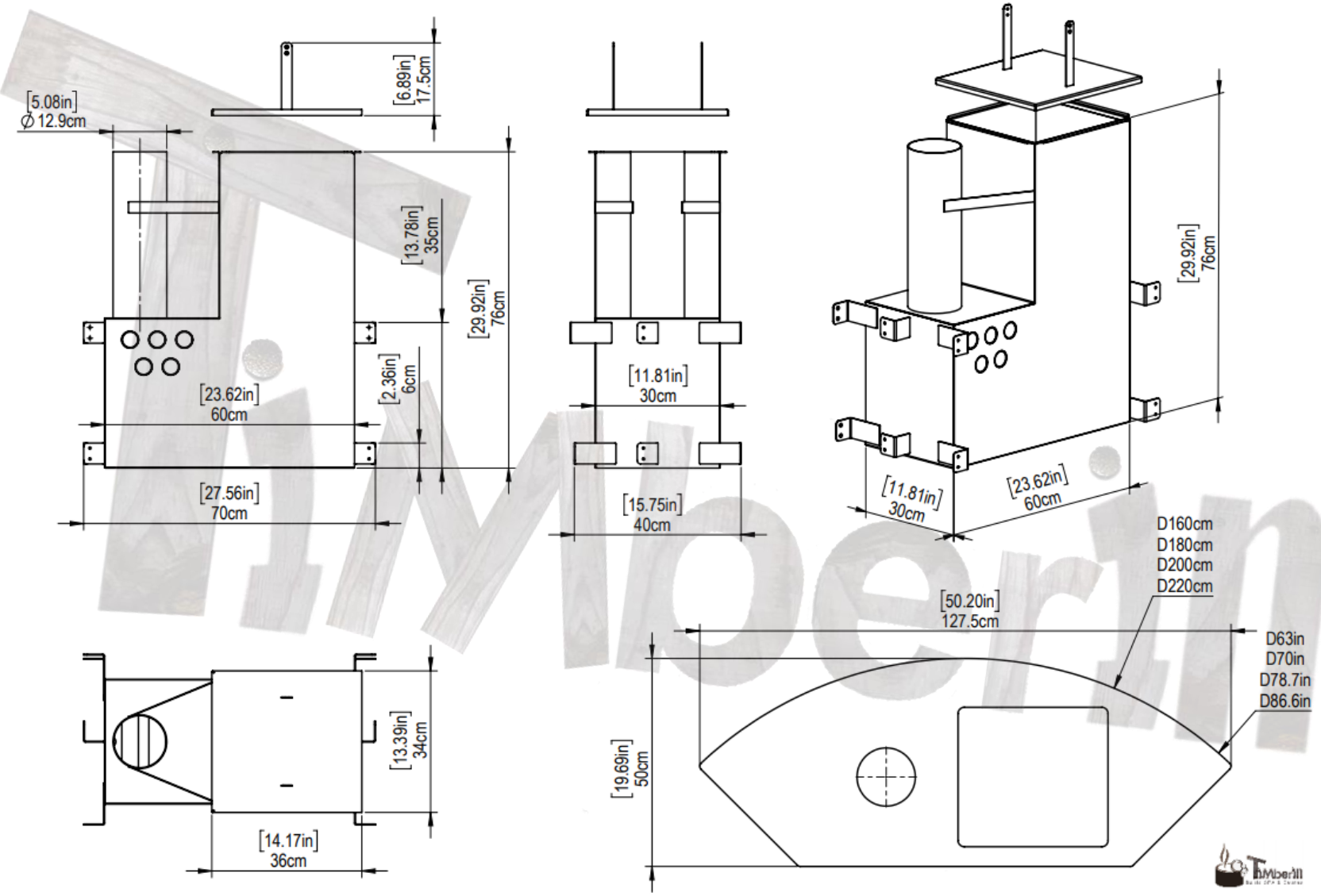
A-A



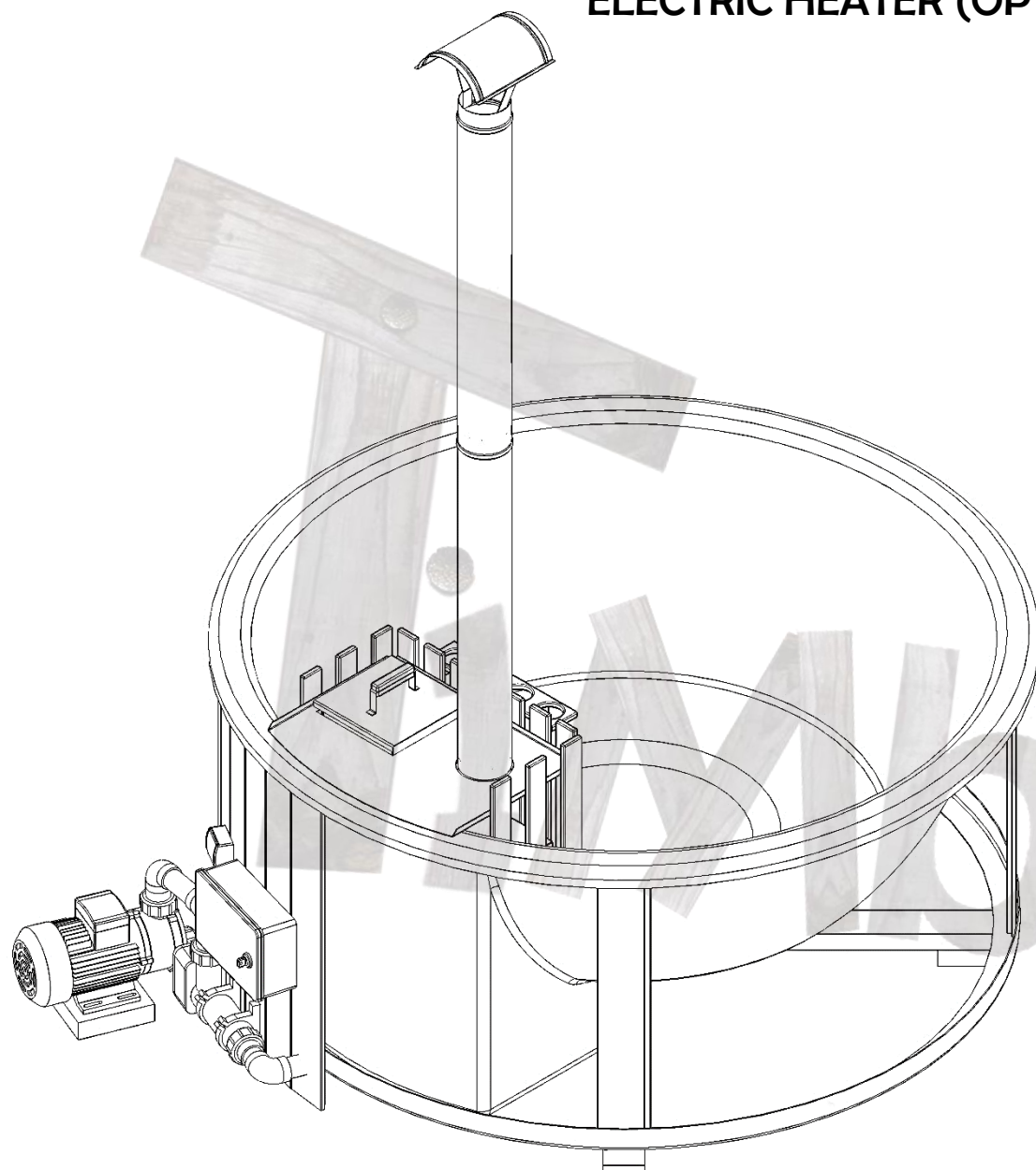
MODEL – TERRACE 4	GENERAL MEASUREMENTS
Inside diameter	1800 mm
Outside diameter	2000 mm
Height	850 mm
Width of the benches	340 mm
Height of the benches	190 - 260 mm
Bottom diameter	650 mm
Bottom circle depth	260 mm
Fiberglass edge width	95 mm
Fiberglass edge height	30-40 mm
Chimney length	2000 mm

INTERNAL WOOD BURNER

BFTV M 18kW

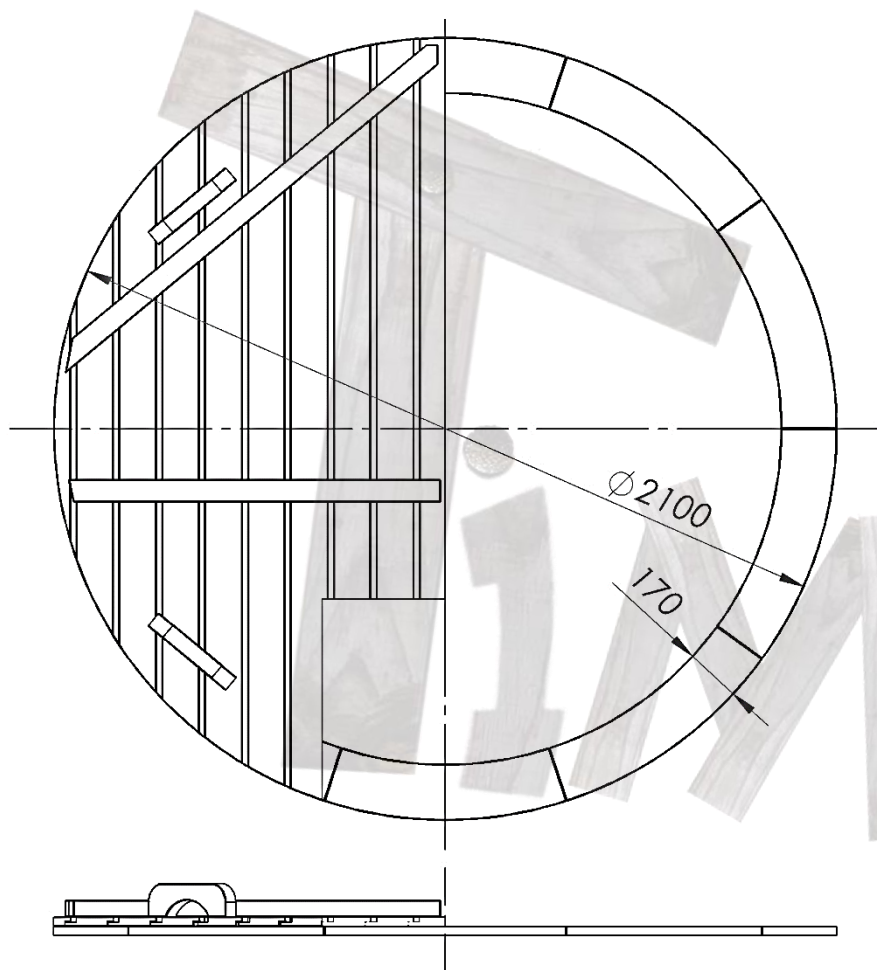


ELECTRIC HEATER (OPTIONAL)

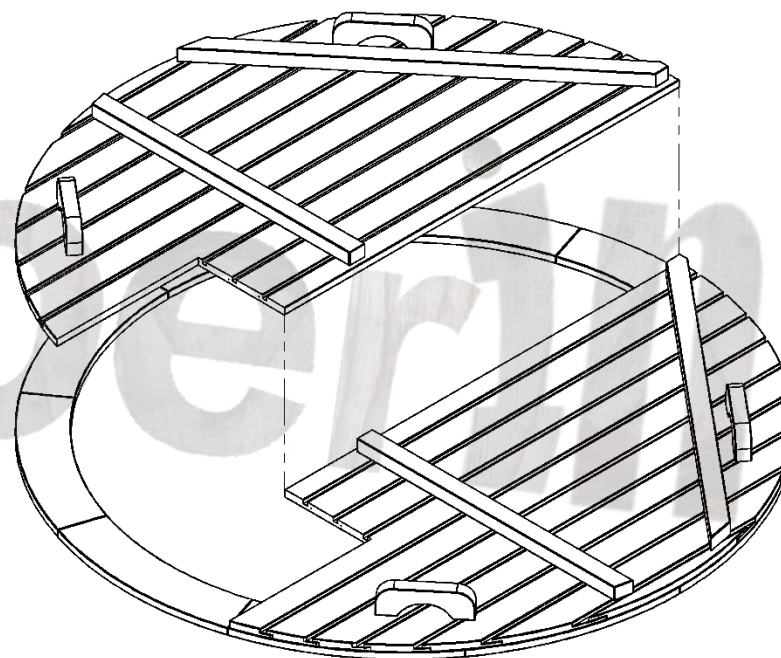


MODEL – TERRACE 4	ELECTRIC HEATER
ADJUSTABLE THERMOSTAT WITH TEMPERATURE RANGE	0-45° C
CONNECTION TYPES	6 kW; 1 phase; 220V; 32A
	6 kW; 3 phases; 380V; 16A

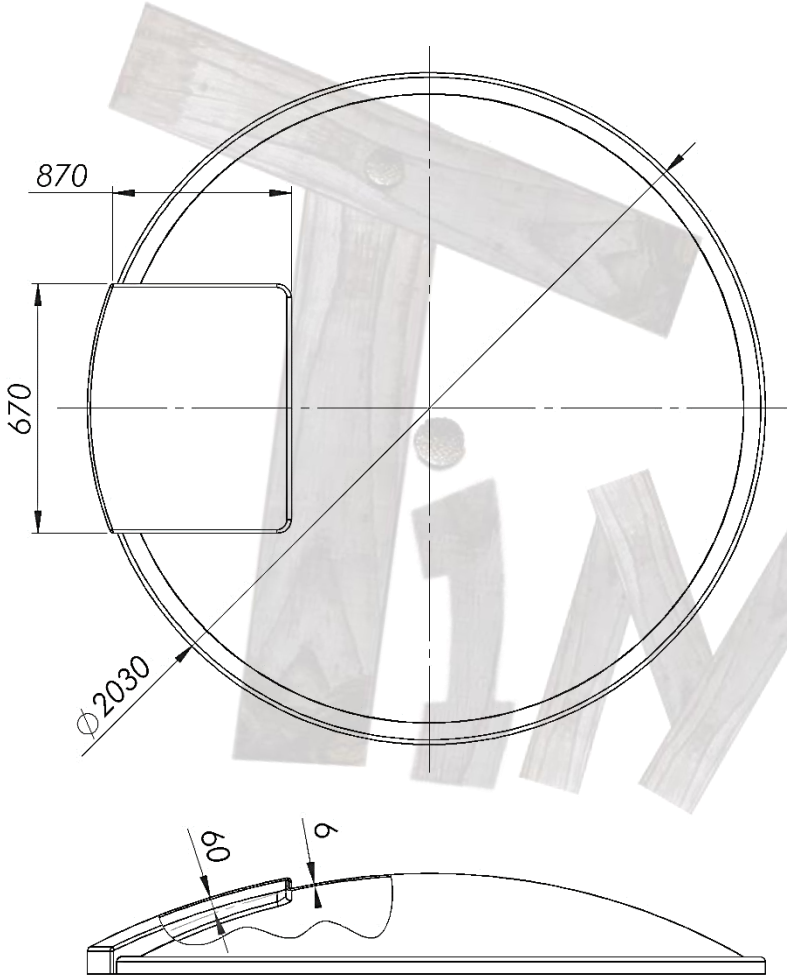
WOODEN LID + WOODEN ROUND EDGE (SILL)



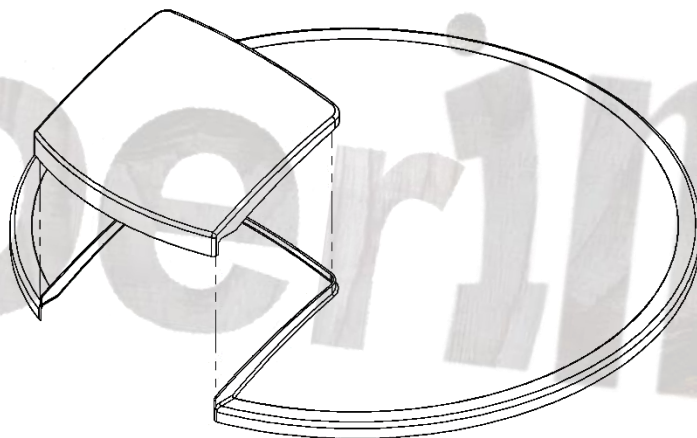
MODEL – TERRACE 4	WOODEN PARTS
Wooden lid diameter	2100 mm
Wooden lid insulation (if chosen)	30 mm
Wooden lid weight	45 kg
Wooden sill width	170 mm
Wood type	Spruce



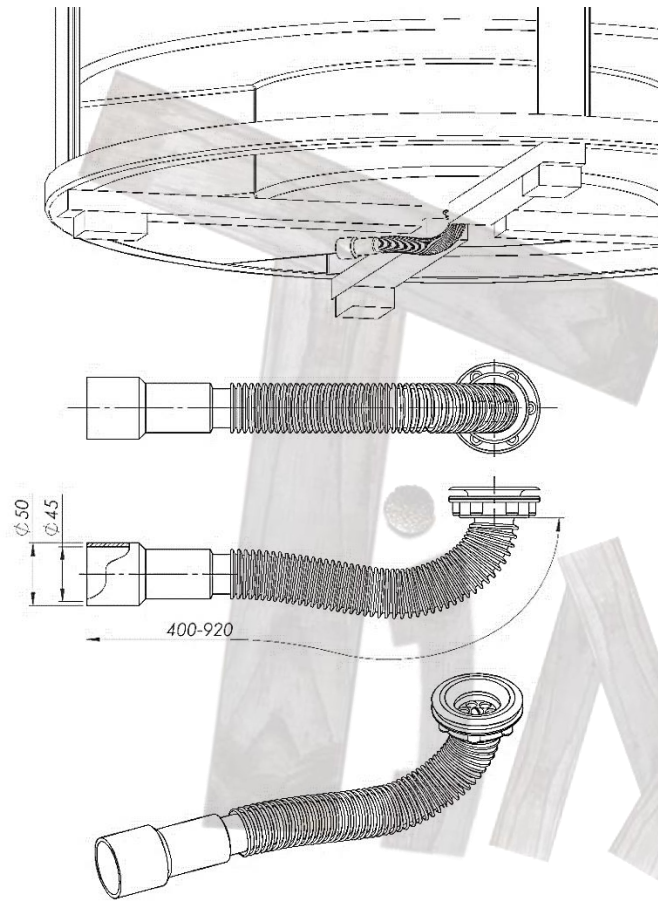
FIBERGLASS LID



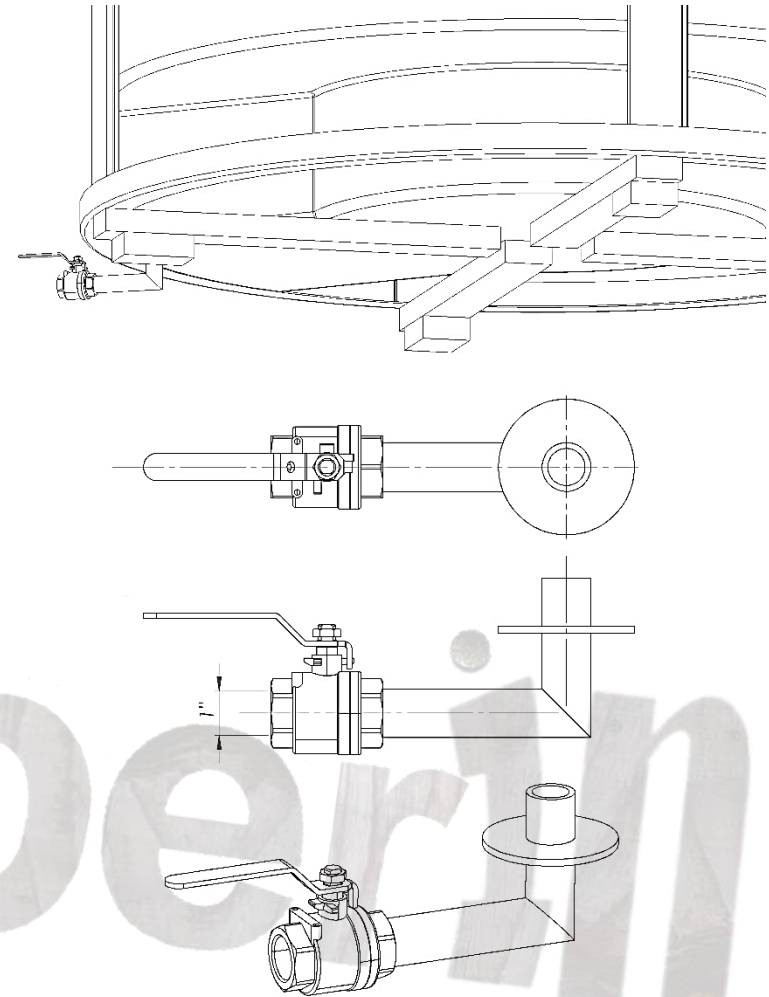
MODEL – TERRACE 4	FIBERGLASS LID
Diameter	2030 mm
Smaller - heater lid measurements	870 x 670 x 60 mm
Weight	30 kg
Insulation thickness (if chosen)	10 mm



WATER RELEASE

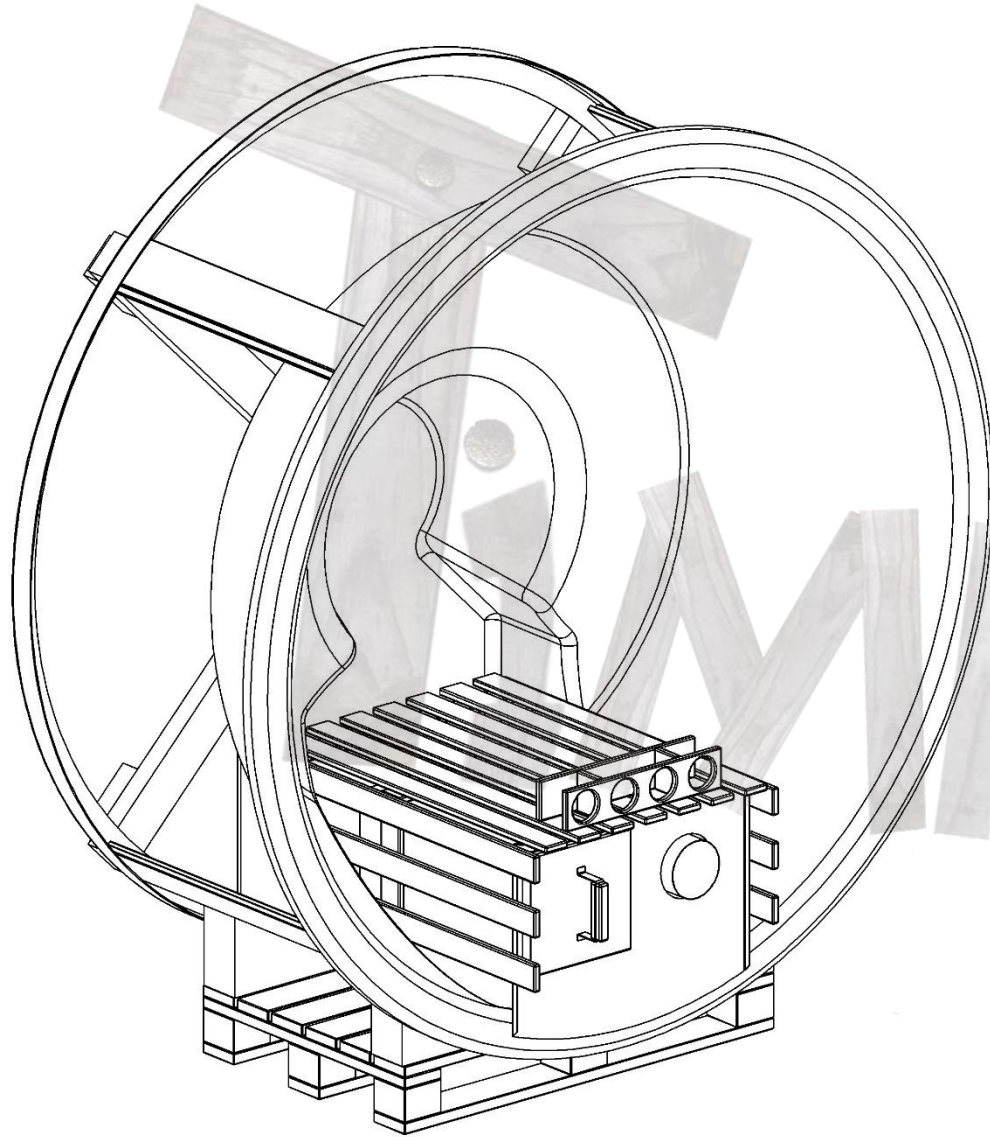


MODEL – TERRACE 4	WATER DRAIN
Water drain length	400-920 mm
Water drain inside diameter	45 mm
Water drain outside diameter	50 mm
Material	PVC

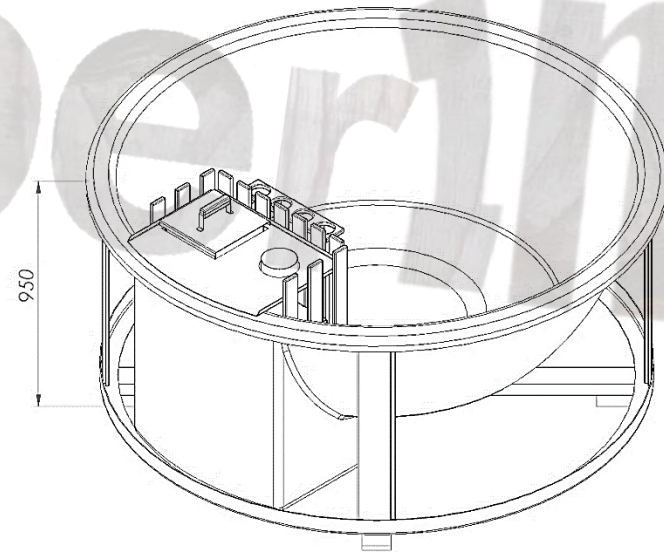


MODEL – TERRACE 4	EXTERNAL WATER TAP
External tap diameter	1 inch
Material	316 type of stainless steel

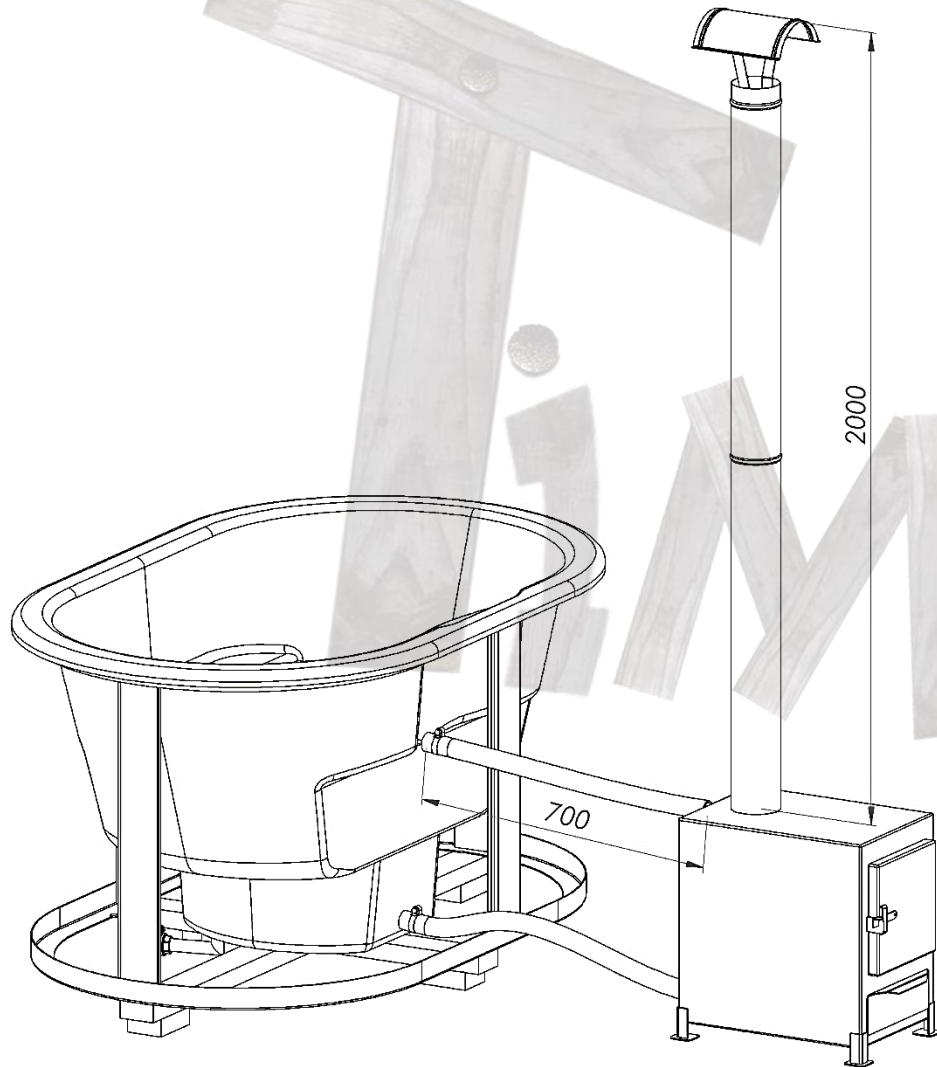
DELIVERY INFO



MODEL – TERRACE 4	DELIVERY INFO
On the wooden pallet packed model measurements:	Height: 2200 mm Width: 1300 mm Length: 2100 mm Weight 100 kg
Additional side package (SPA systems or heaters)	Height: 900 mm Width: 800 mm Length: 1000 mm Weight 15 - 50 kg



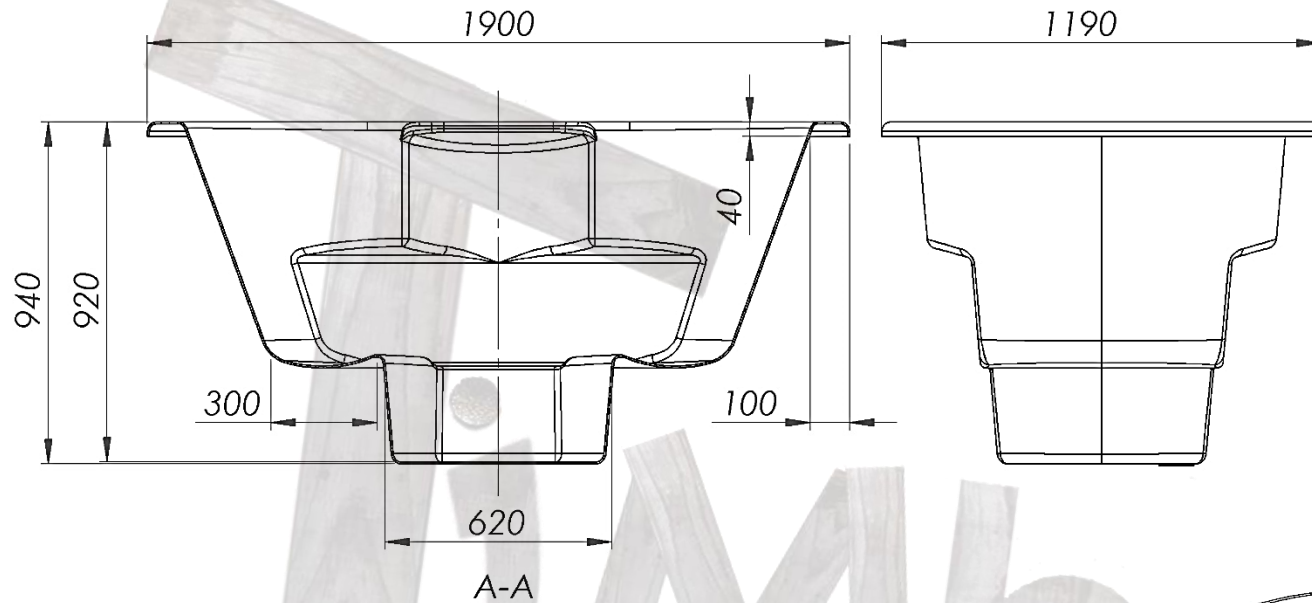
1900 X 1000 MM OFURO OVAL HOT TUB WITH EXTERNAL WOOD BURNER (#TERRACE5)



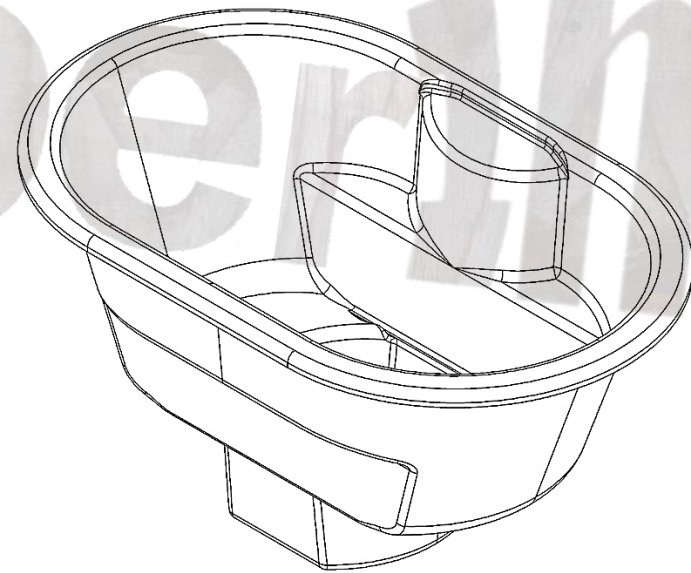
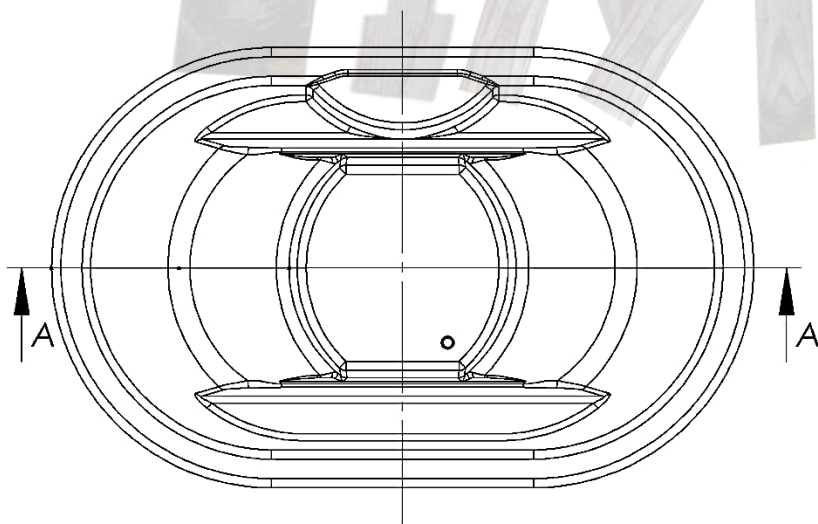
MODEL – TERRACE 5	1900 X 1000 MM OFURO OVAL HOT TUB WITH EXTERNAL WOOD BURNER
No. of bathers	1-2
Water capacity	1000 l
Total weight of the hot tub	80 kg
LED	optional
HYDRO MASSAGE	optional
AIR MASSAGE	optional
FILTRATION	optional
ELECTRIC HEATER	optional
METAL FENCE ON THE CHIMNEY	optional
LEATHER LID	Not available

 [3D view of this model](#)

GENERAL INFO

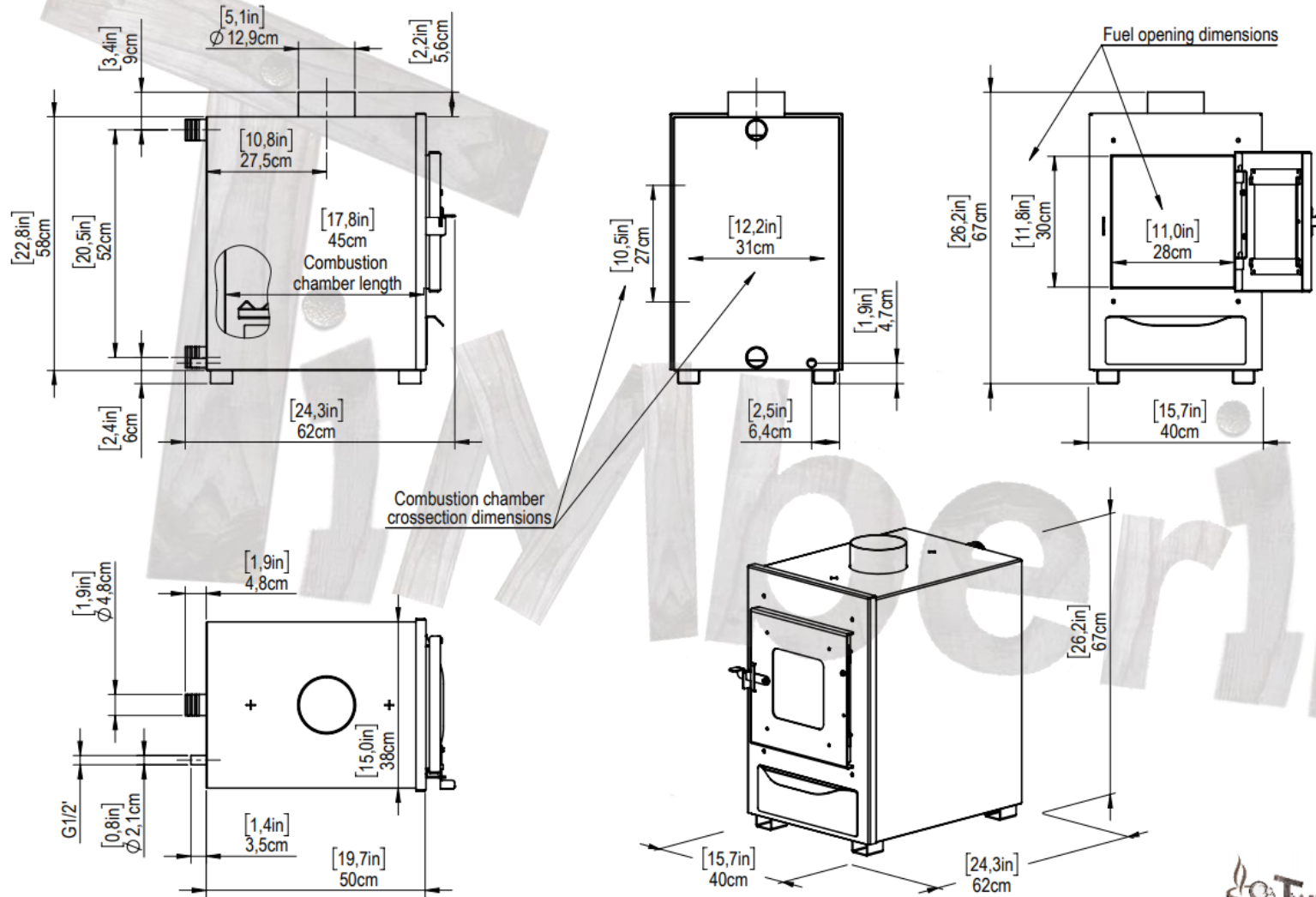


MODEL – TERRACE 5	GENERAL MEASUREMENTS
Outside measurements	1900 mm x 1190 mm x 940 mm
Height inner	920 mm
Width of the benches	300 mm
Bottom circle length	620 mm
Fiberglass edge width	100 mm

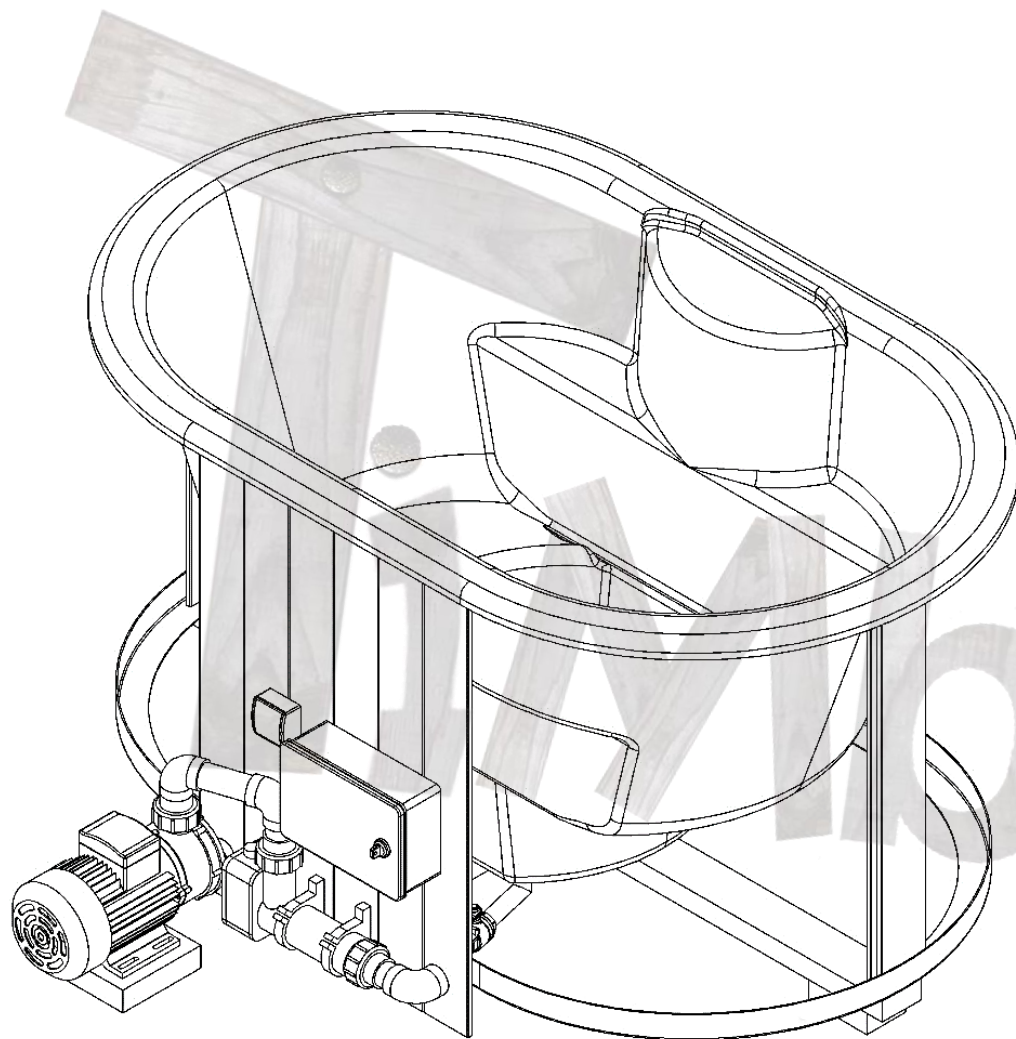


EXTERNAL WOOD BURNER

BFTS-50, 22kW

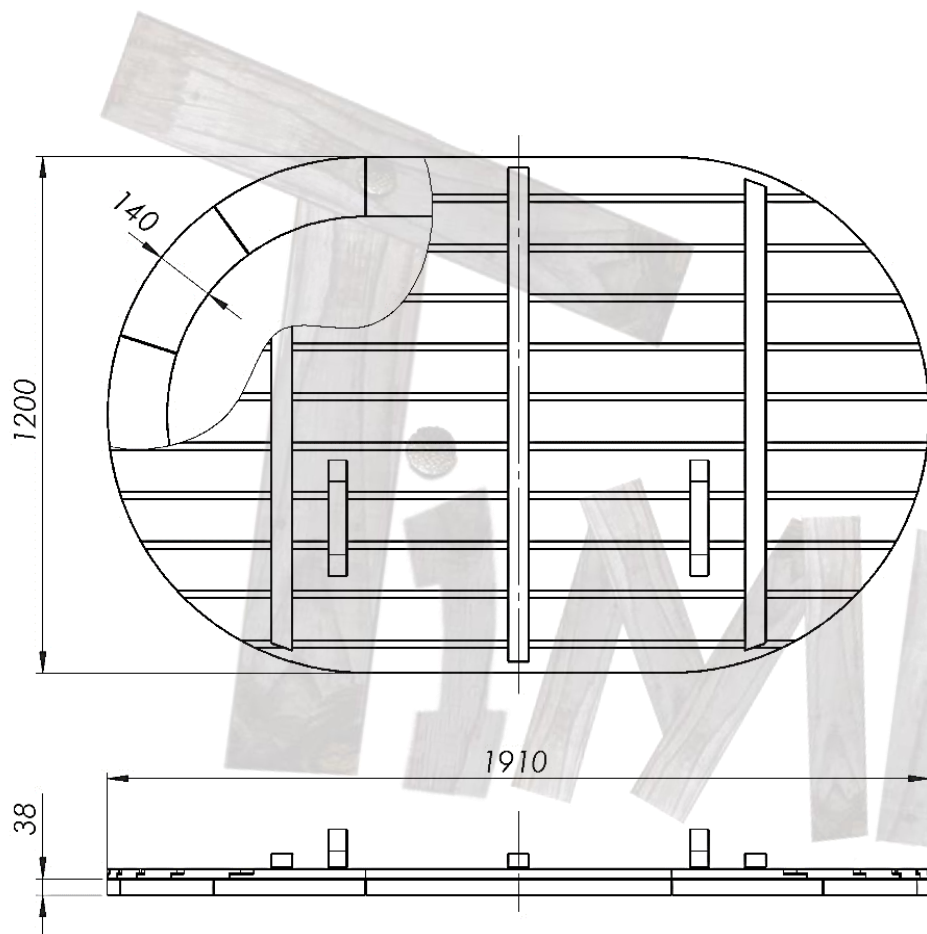


ELECTRIC HEATER (OPTIONAL)

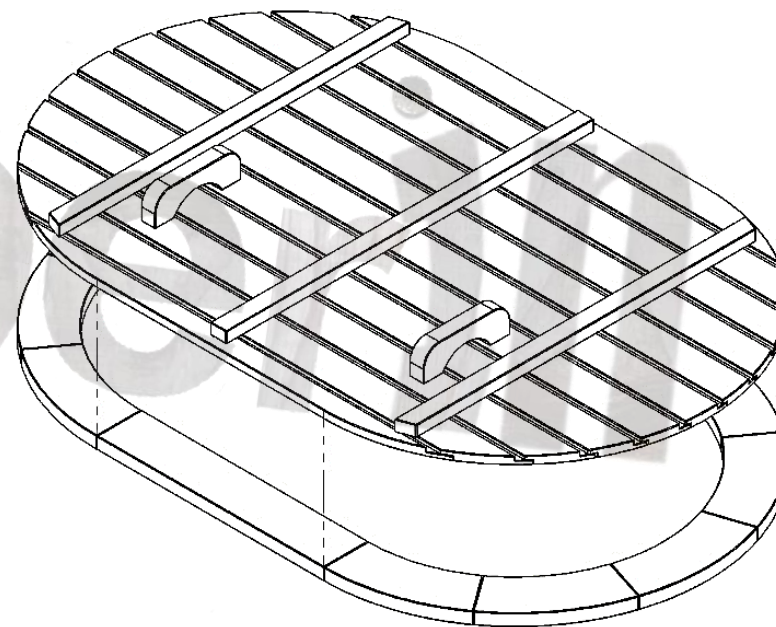


MODEL – TERRACE 5	ELECTRIC HEATER
ADJUSTABLE THERMOSTAT WITH TEMPERATURE RANGE	0-45° C
CONNECTION TYPES	6 kW; 1 phase; 220V; 32A 6 kW; 3 phases; 380V; 16A

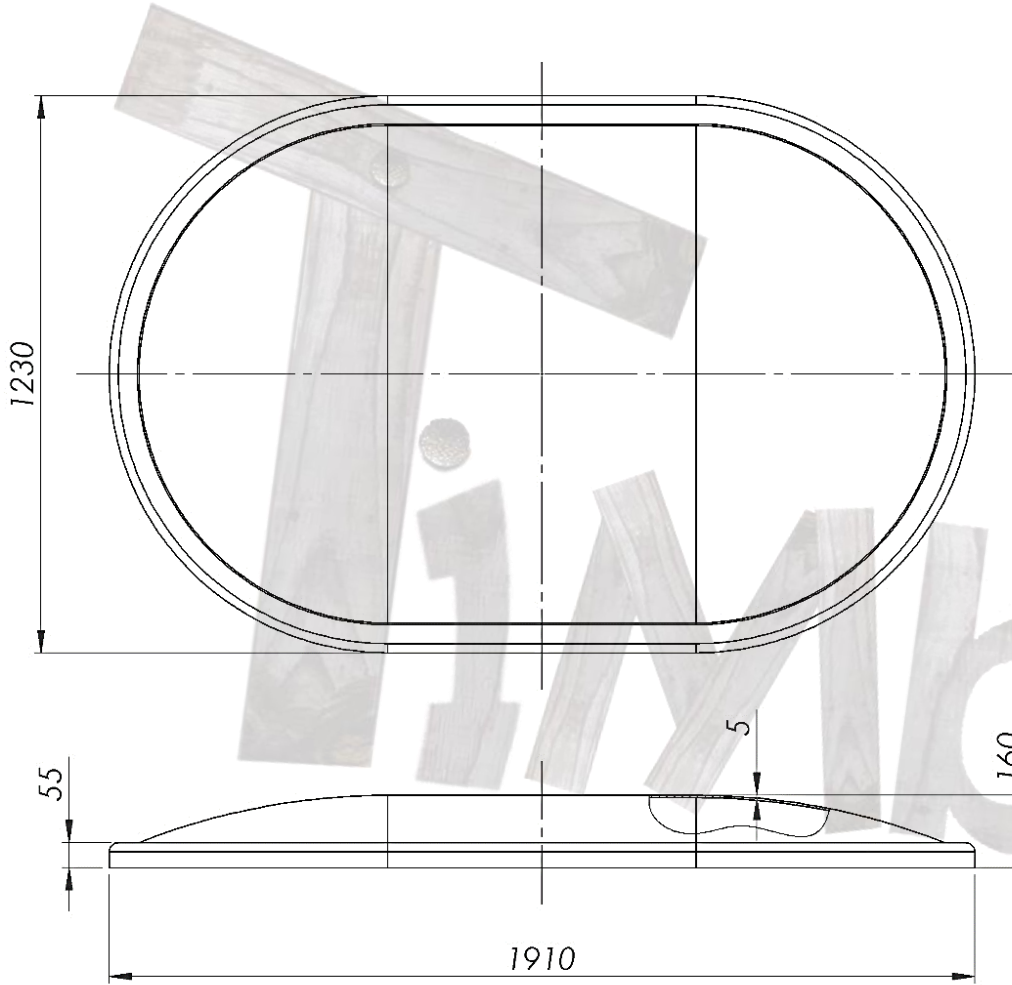
WOODEN LID + WOODEN ROUND EDGE (SILL)



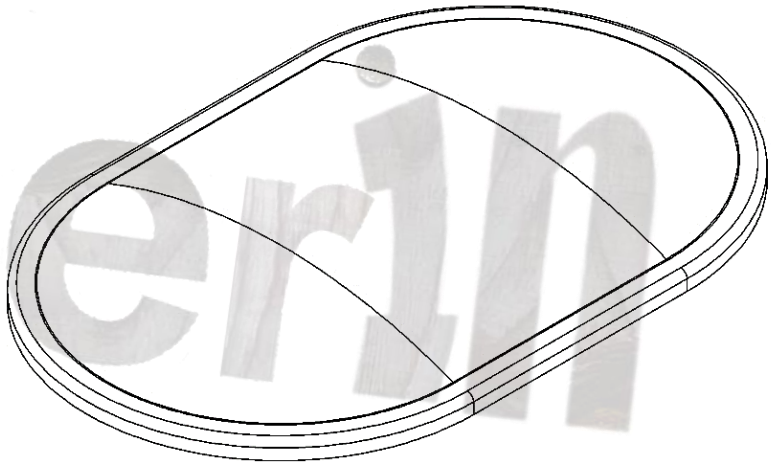
MODEL – TERRACE 5	WOODEN PARTS
Wooden lid measurements	1200 mm x 1910 mm
Wooden lid insulation (if chosen)	30 mm
Wooden lid weight	30 kg
Wooden sill width	140 mm
Wood type	Spruce



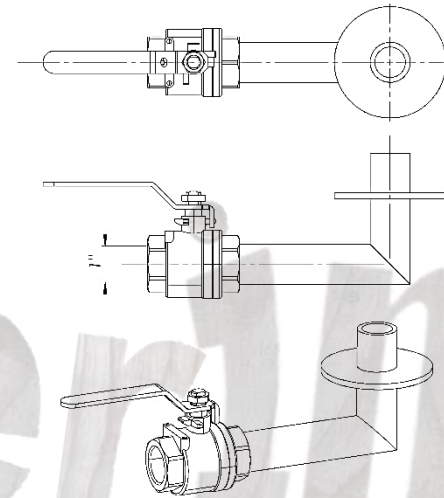
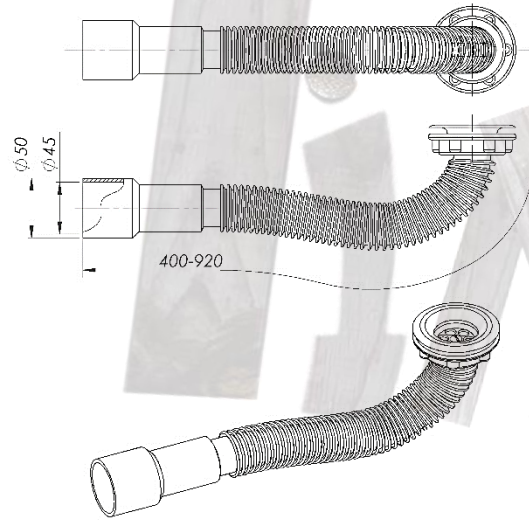
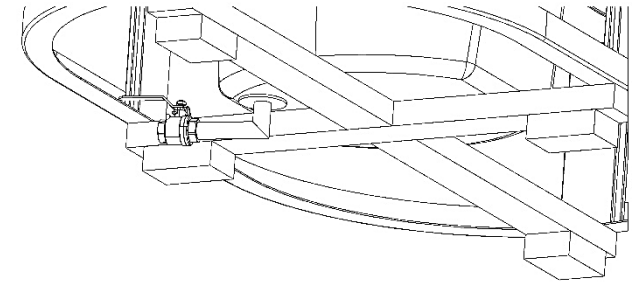
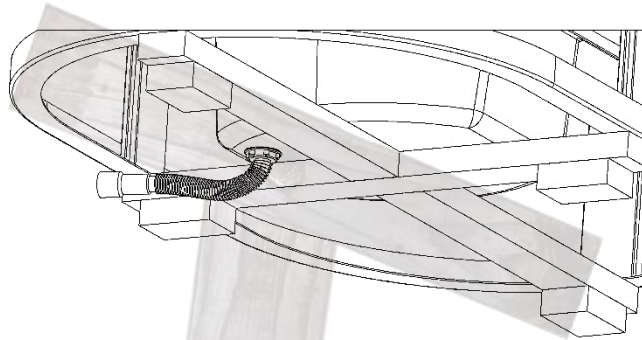
FIBERGLASS LID



MODEL – TERRACE 5	FIBERGLASS LID
Measurements	1910 mm x 1230 mm x 160 mm
Weight	15 kg



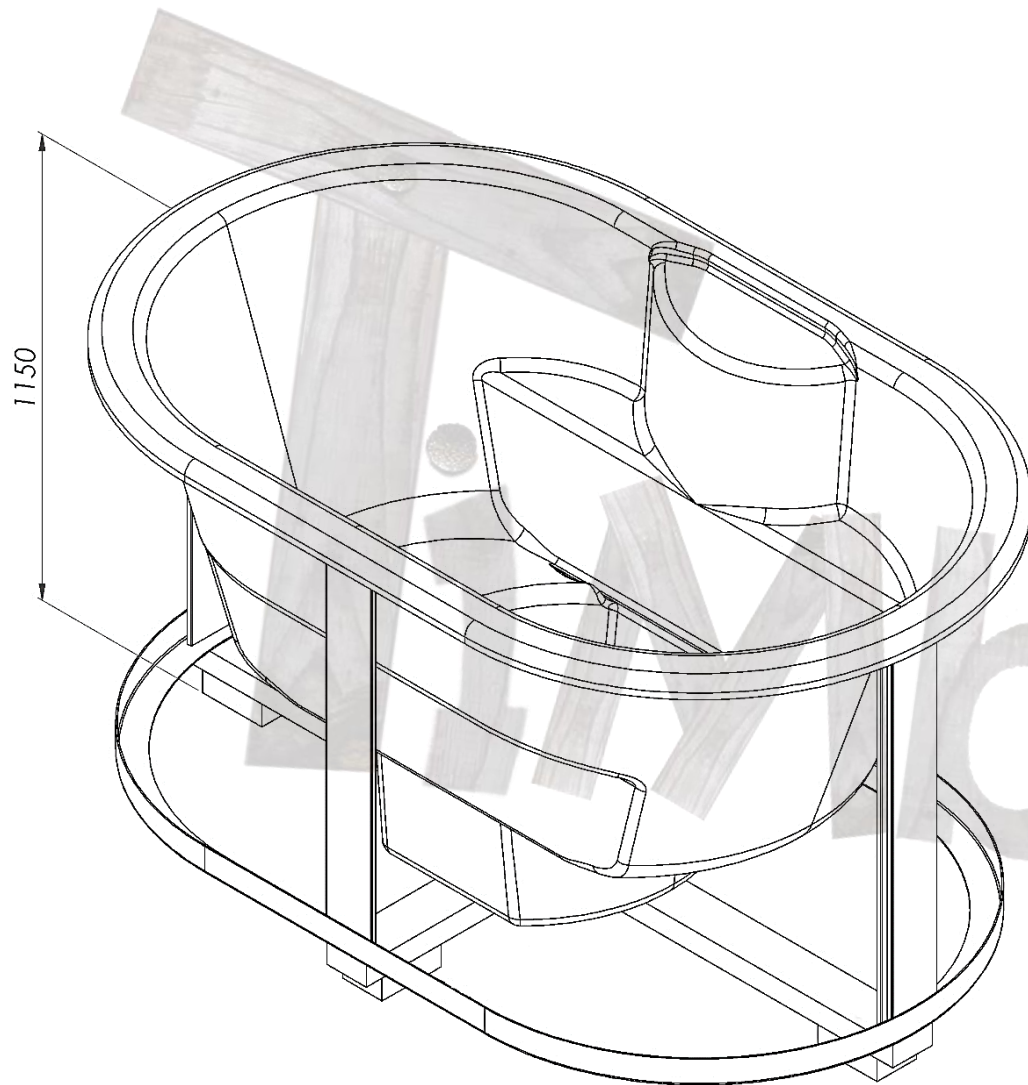
WATER RELEASE



MODEL – TERRACE 5	WATER DRAIN
Water drain length	400-920 mm
Water drain inside diameter	45 mm
Water drain outside diameter	50 mm
Material	PVC

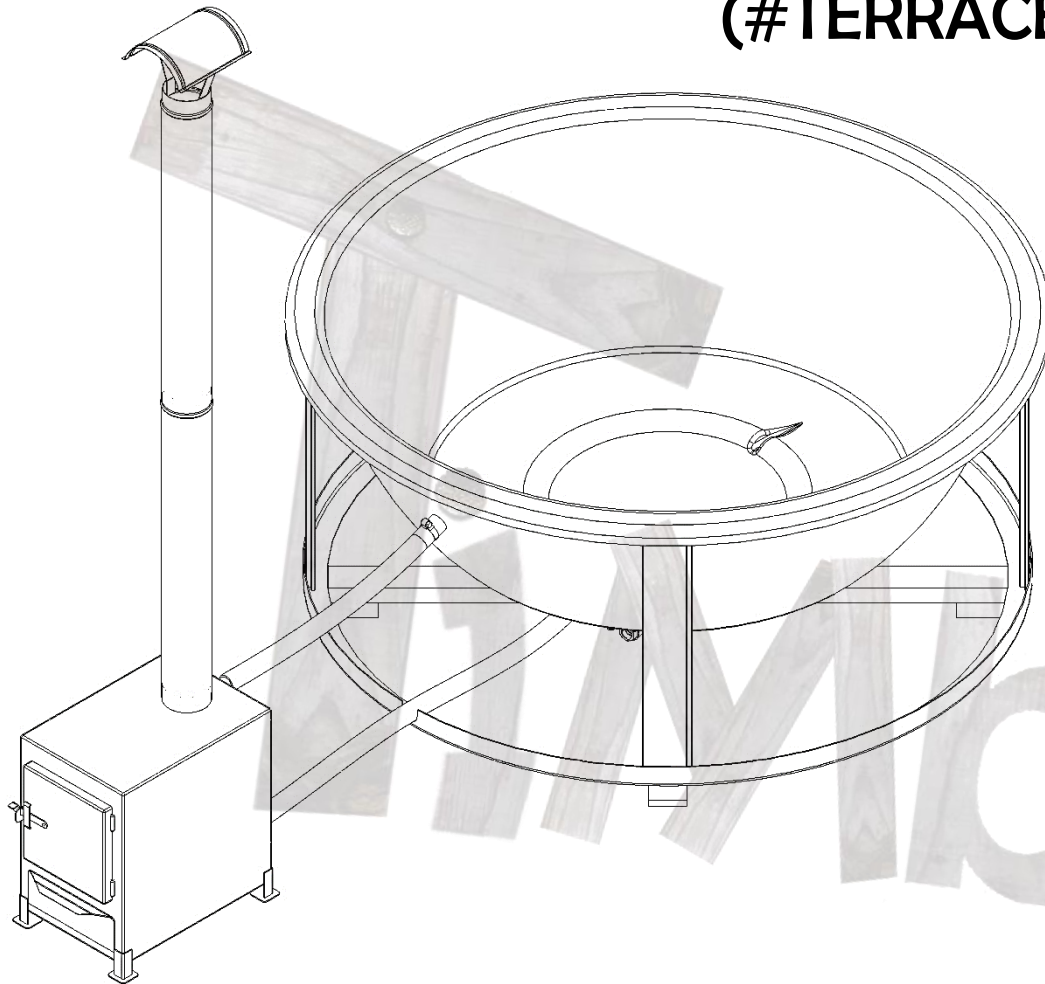
MODEL – TERRACE 5	EXTERNAL WATER TAP
Release tap diameter	1 inch
Material	430 type of stainless steel

DELIVERY INFO



MODEL – TERRACE 5	OFURO DELIVERY
On the wooden cross packed model measurements:	Height: 1150 mm Width: 1400 mm Length: 1950 mm Weight 80 kg
Additional side package (SPA systems or heaters)	Height: 900 mm Width: 800 mm Length: 1200 mm Weight 15 - 50 kg

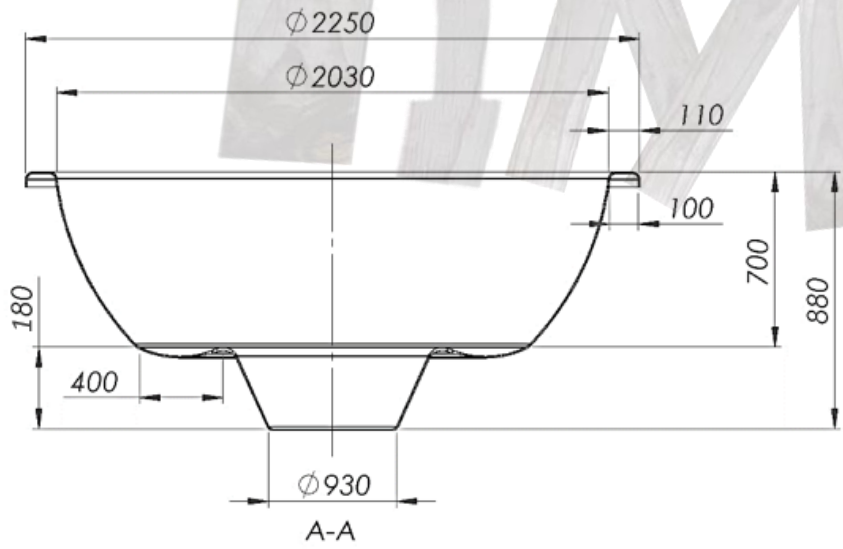
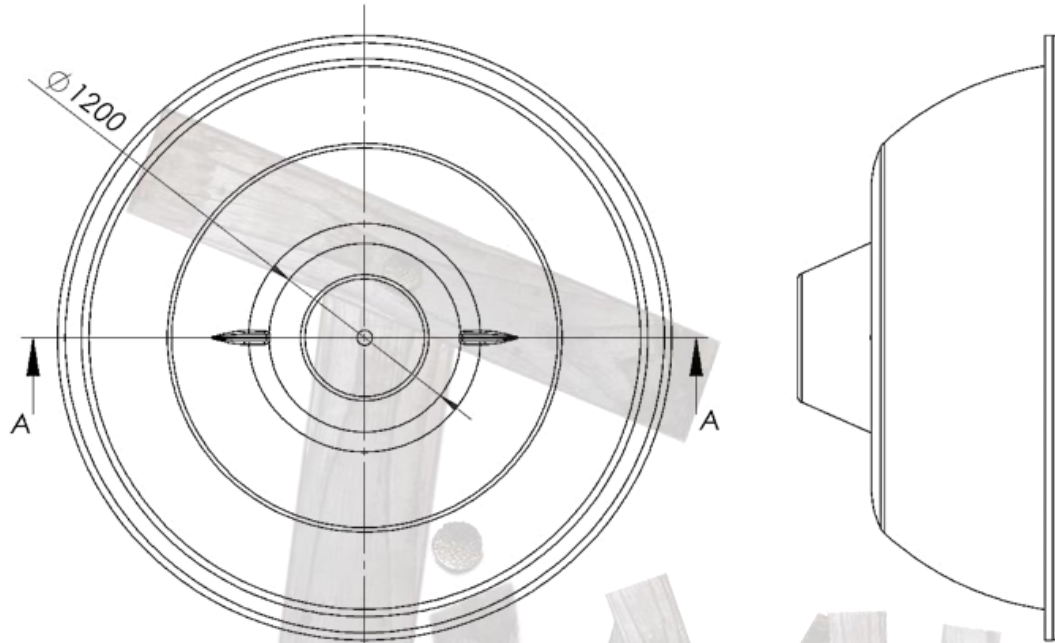
Ø2000 WELLNESS HOT TUB WITH EXTERNAL WOOD BURNER (#TERRACE6)



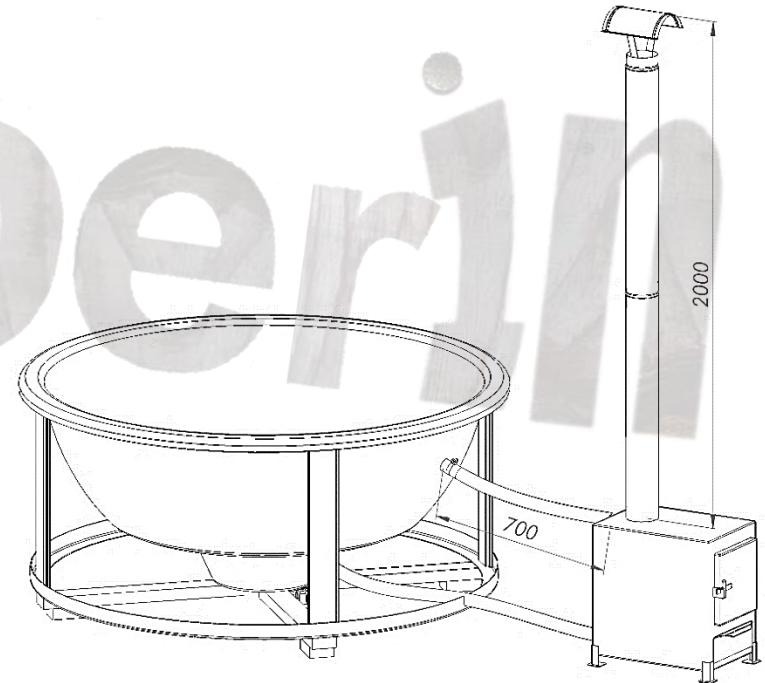
MODEL – TERRACE 6	WELLNESS HOT TUB WITH EXTERNAL WOOD BURNER (Ø2000 MM)
No. of bathers	8 - 12
Water capacity	1550 l
Total weight of the hot tub	100 kg
LED	optional
HYDRO MASSAGE	optional
AIR MASSAGE	optional
FILTRATION	optional
ELECTRIC HEATER	optional
METAL FENCE ON THE CHIMNEY	optional
LEATHER LID	Not available

 [3D view of this model](#)

GENERAL INFO

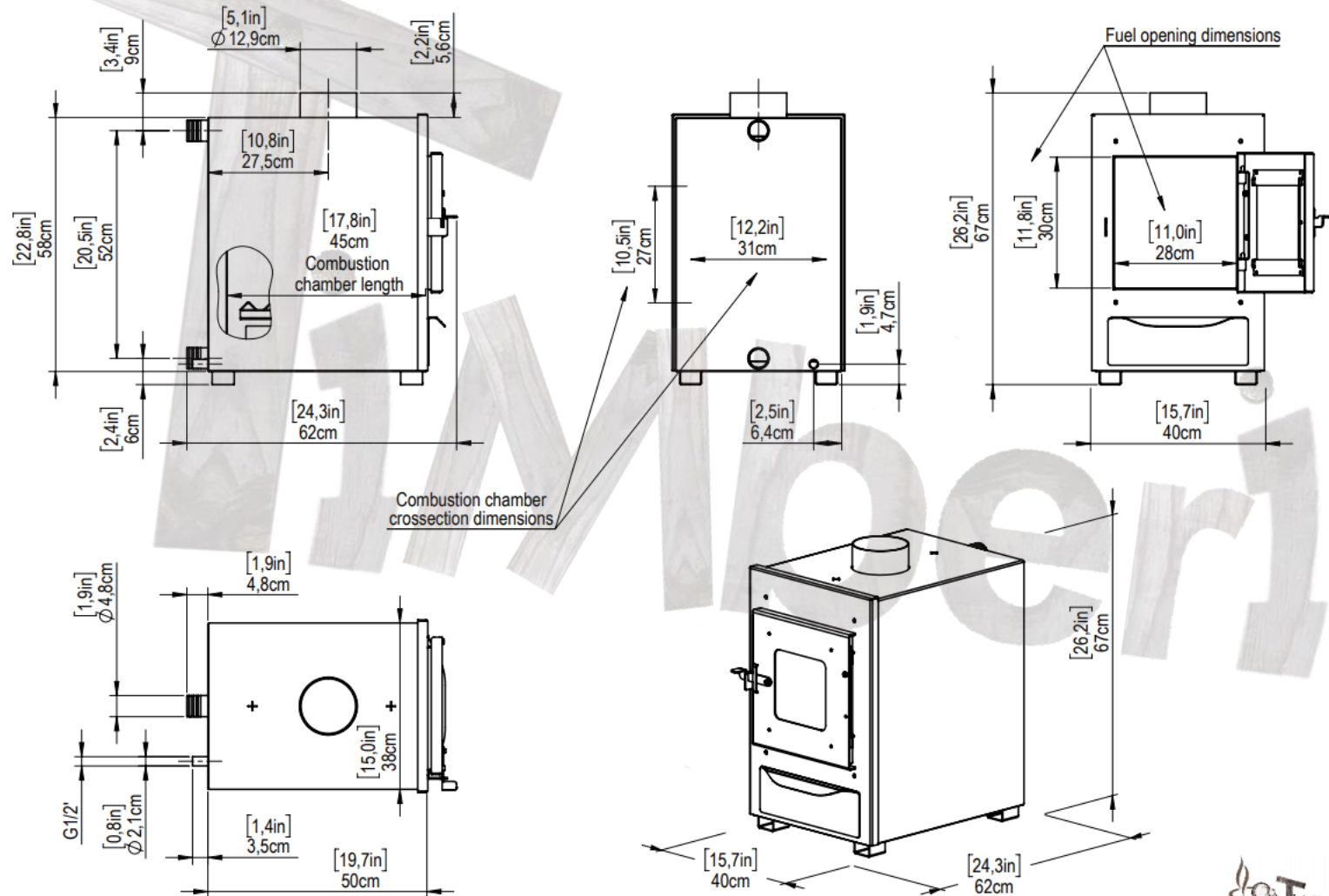


MODEL – TERRACE 6	GENERAL MEASUREMENTS
Inside diameter	2030 mm
Outside diameter	2250 mm
Height inner	870 mm
Height outer	880 mm
Width of the benches	400 mm
Height of the benches	180 mm
Bottom circle diameter	930 mm
Fiberglass edge width	110 mm
Chimney length	2000 mm

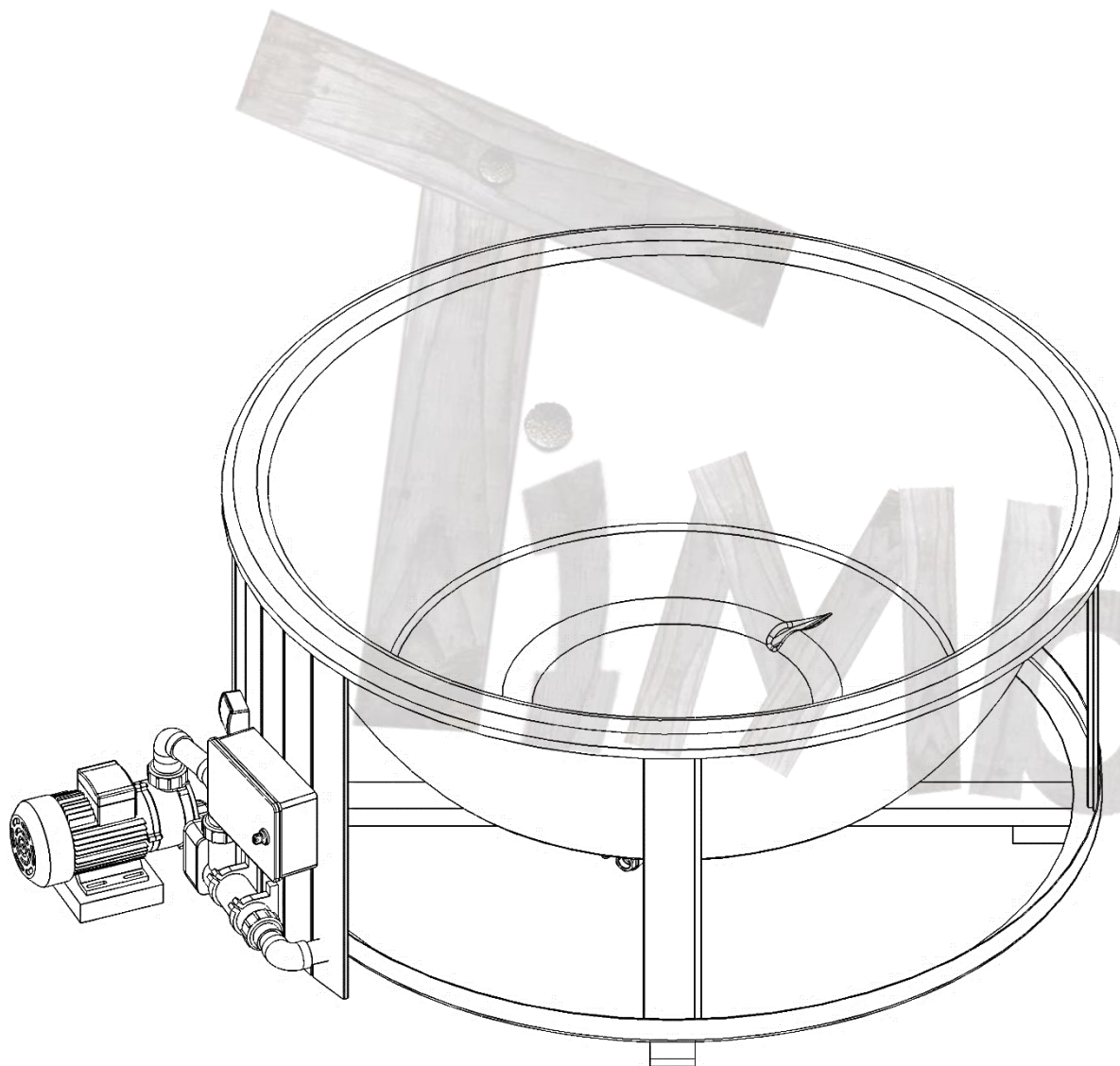


EXTERNAL WOOD BURNER

BFTS-50, 22kW

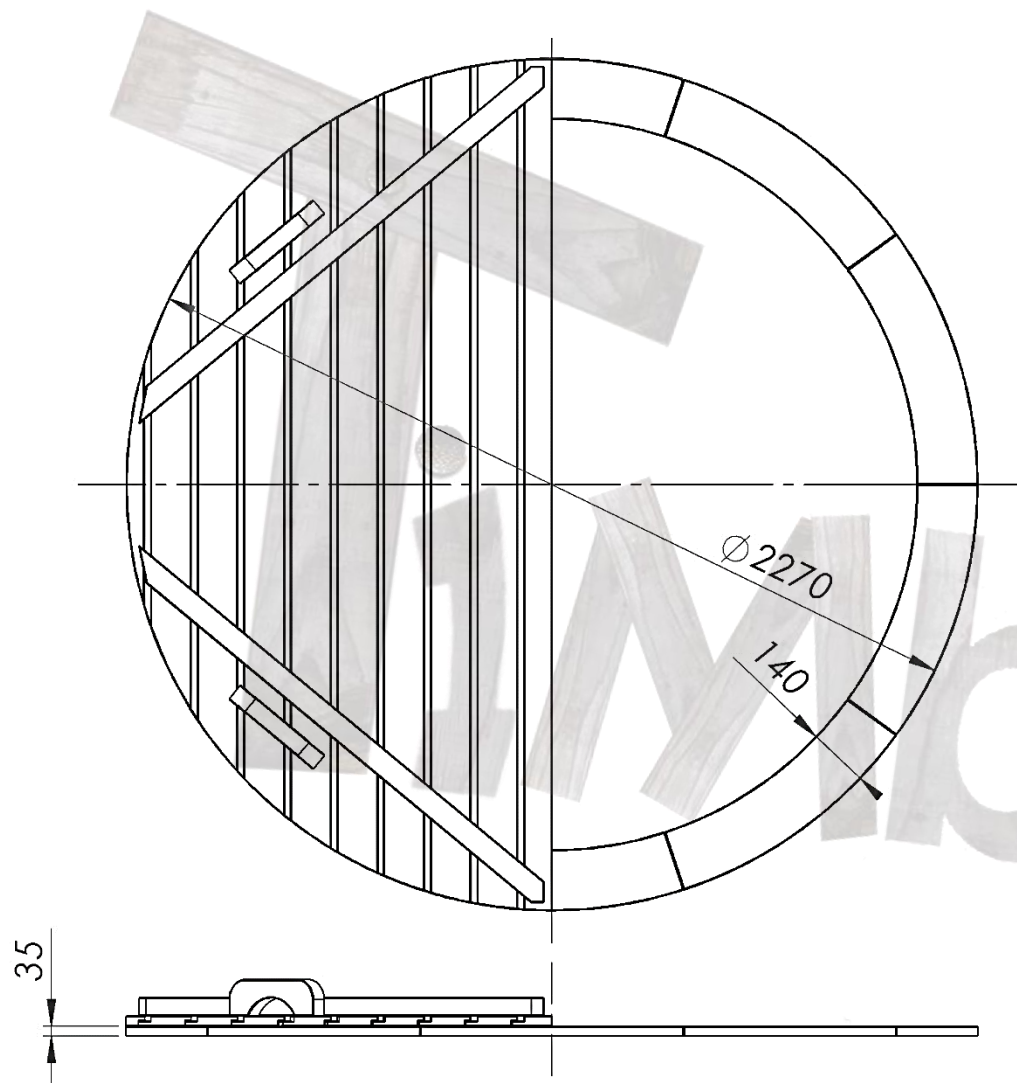


ELECTRIC HEATER (OPTIONAL)

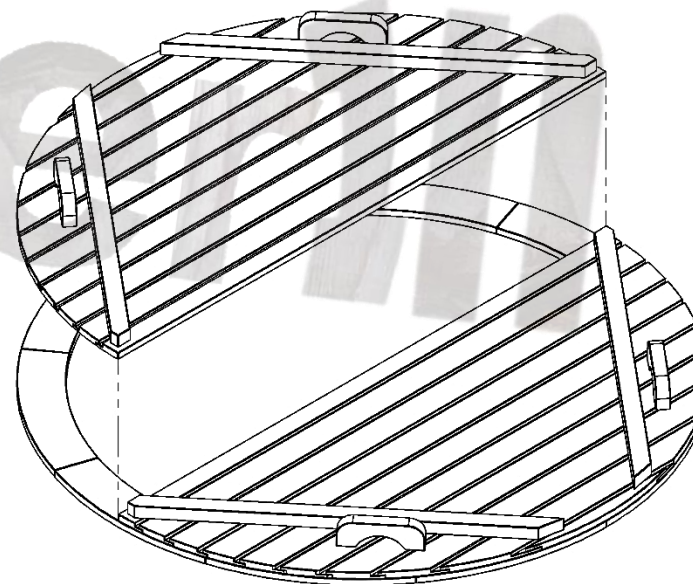


MODEL – TERRACE 6	ELECTRIC HEATER
ADJUSTABLE THERMOSTAT WITH TEMPERATURE RANGE	0-45° C
CONNECTION TYPES	6 kW; 1 phase; 220V; 32A 6 kW; 3 phases; 380V; 16A

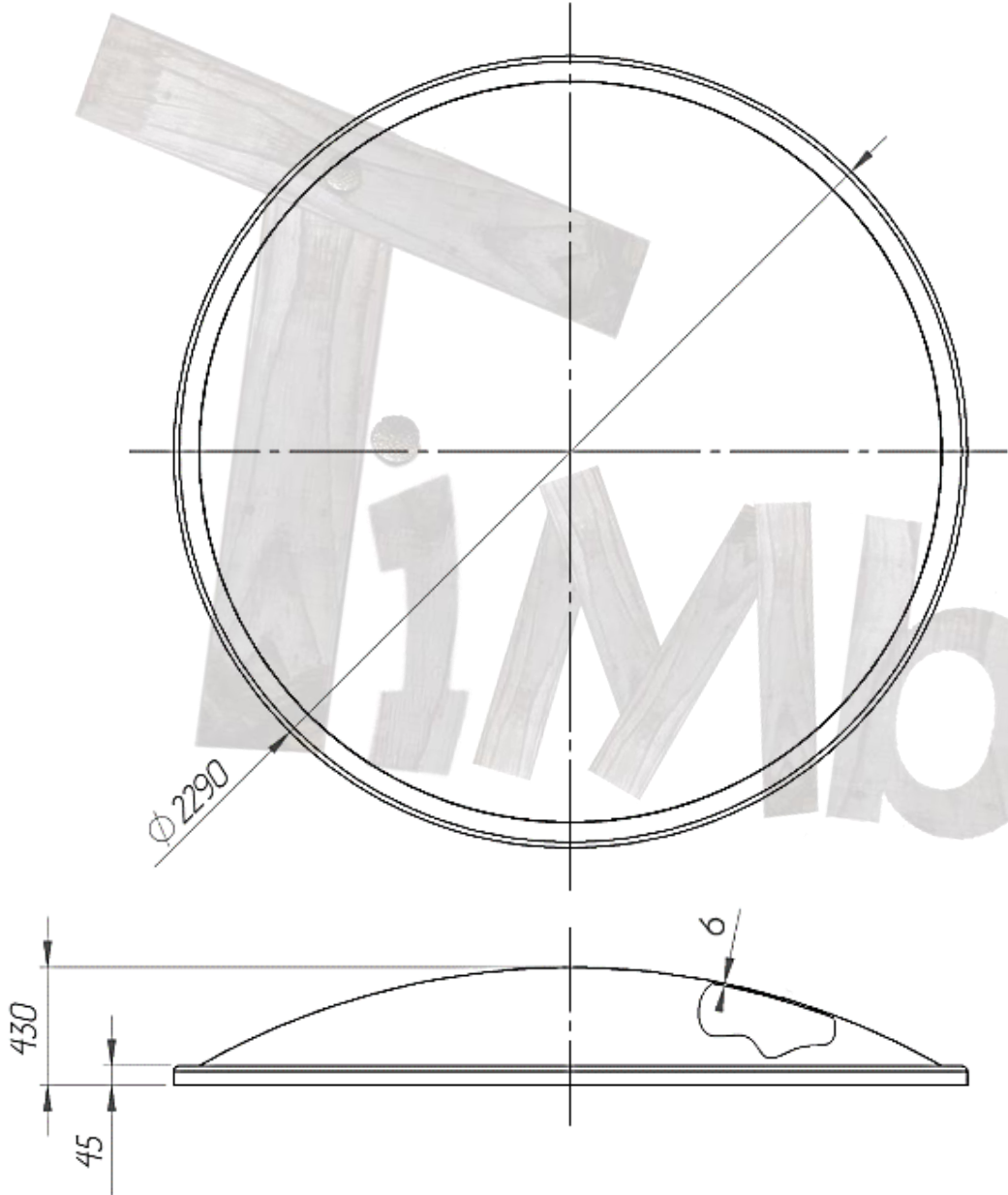
WOODEN LID + WOODEN ROUND EDGE (SILL)



MODEL – TERRACE 6	WOODEN PARTS
Wooden lid diameter	2270 mm
Wooden lid insulation (if chosen)	30 mm
Wooden lid weight	50 kg
Wooden sill width	140 mm
Wood type	Spruce



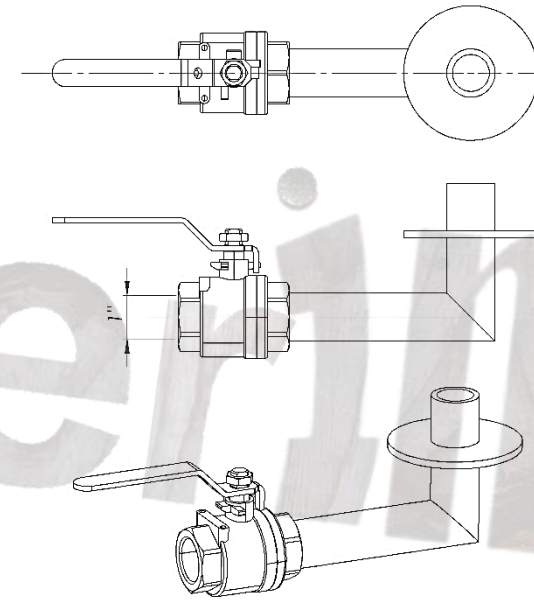
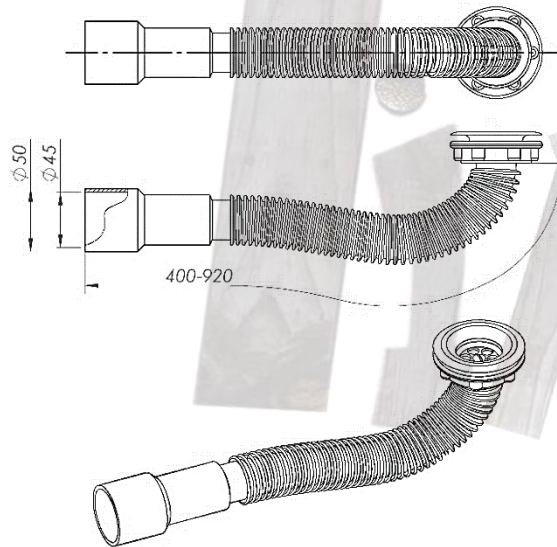
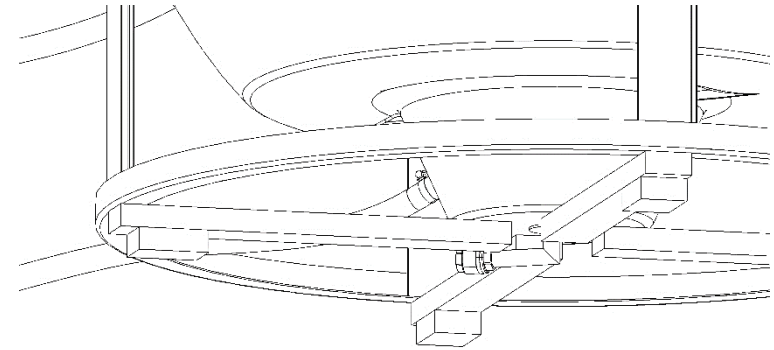
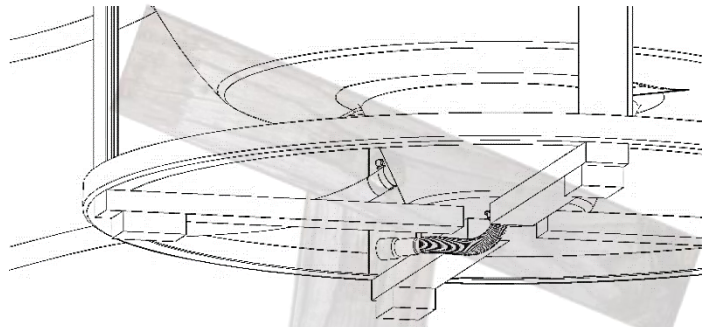
FIBERGLASS LID



MODEL – TERRACE 6	FIBERGLASS LID
Diameter	2290 mm
Weight	35 kg
Insulation thickness (if chosen)	10 mm



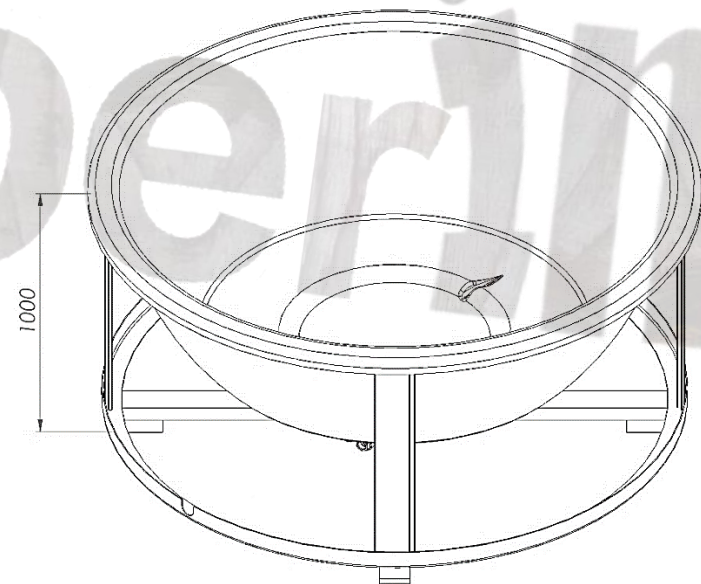
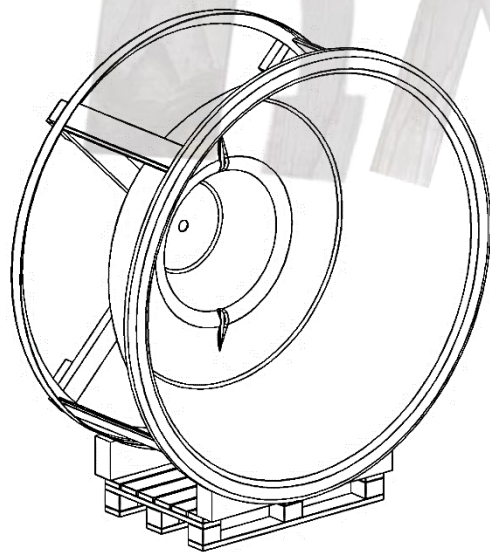
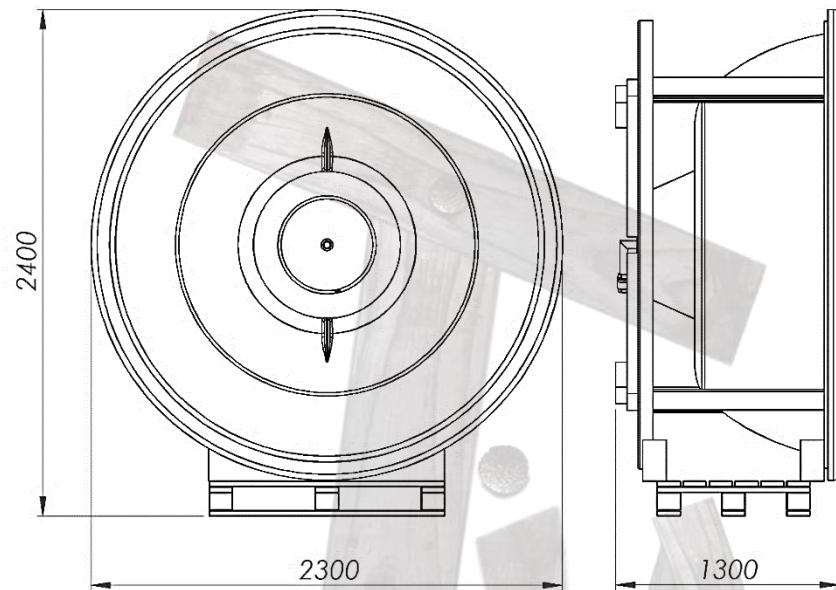
WATER RELEASE



MODEL – TERRACE 6	WATER DRAIN
Water drain length	400-920 mm
Water drain inside diameter	45 mm
Water drain outside diameter	50 mm
Material	PVC

MODEL – TERRACE 6	EXTERNAL WATER TAP
External tap diameter	1 inch
Material	316 type of stainless steel

DELIVERY INFO



MODEL – TERRACE 6	DELIVERY INFO
On the wooden pallet packed model measurements:	Height: 2400 mm Width: 1300 mm Length: 2300 mm Weight 100 kg
Additional side package (SPA systems or heaters)	Height: 900 mm Width: 800 mm Length: 1000 mm Weight 15 - 50 kg

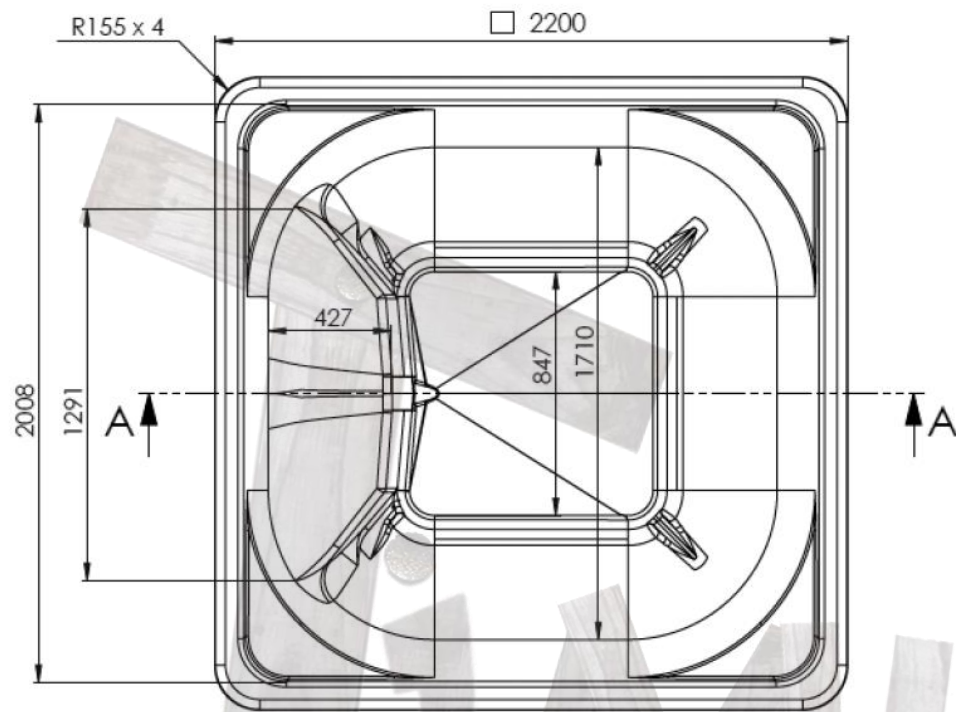
2200 X 2200 MM RECTANGULAR HOT TUB WITH EXTERNAL WOOD BURNER (#TERRACE7)



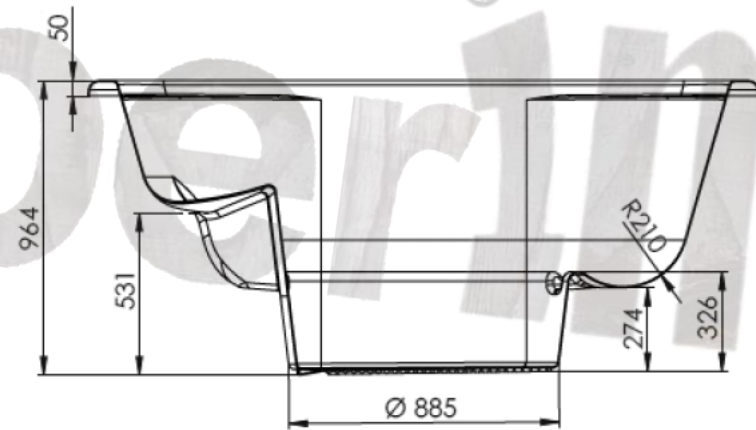
MODEL – TERRACE 7	2200 X 2200 MM RECTANGULAR HOT TUB WITH EXTERNAL WOOD BURNER
No. of bathers	8 - 14
Water capacity	1800 l
Total weight of the hot tub	110 kg
LED	optional
HYDRO MASSAGE	optional
AIR MASSAGE	optional
FILTRATION	optional
ELECTRIC HEATER	optional
METAL FENCE ON THE CHIMNEY	optional

TimberIN

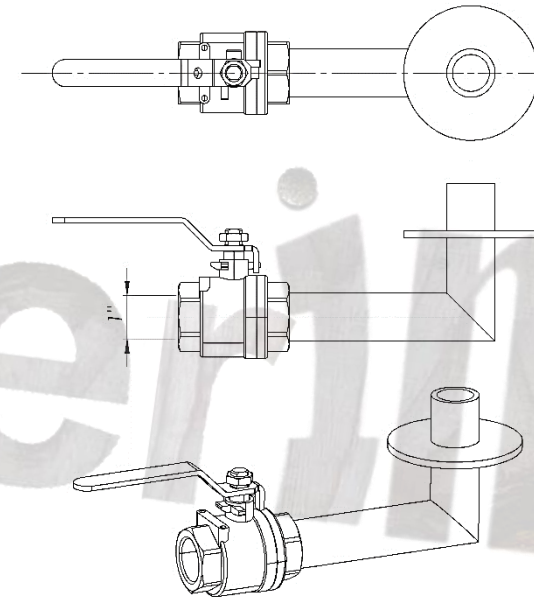
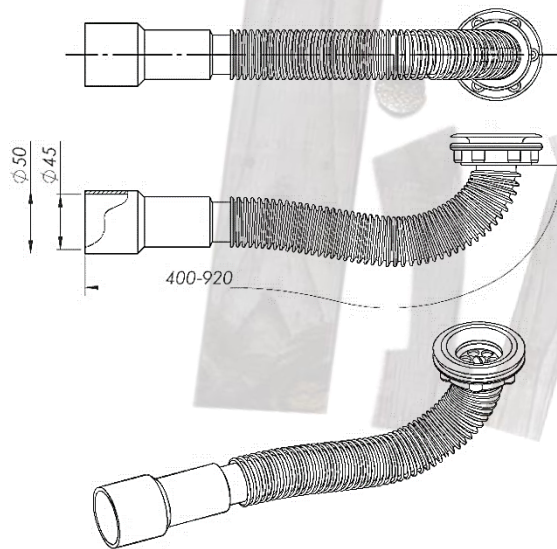
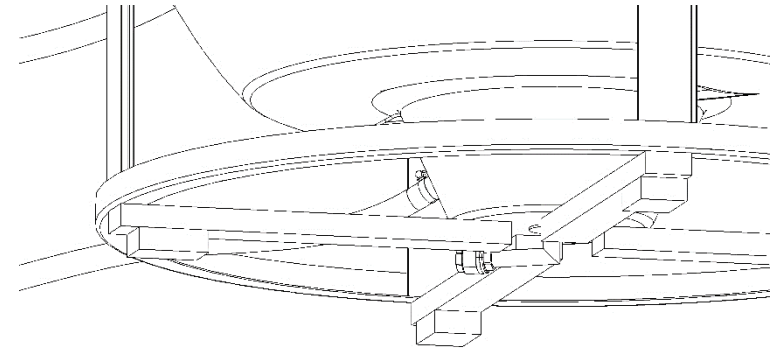
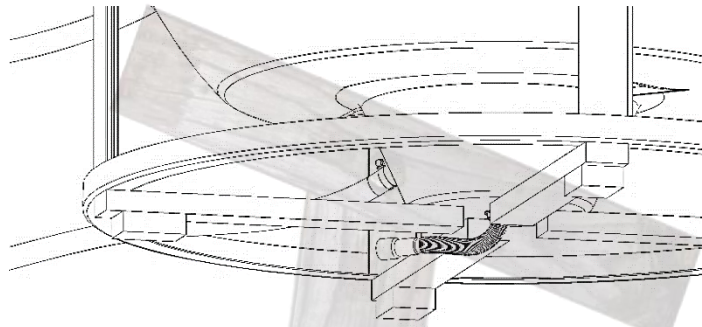
GENERAL INFO



MODEL – TERRACE 7	GENERAL MEASUREMENTS
Inside measurement	2008 x 2008 mm
Outside measurement	2200 x 2200 mm
Height outer	964 mm
Height of the benches	274 - 326 mm



WATER RELEASE



MODEL – TERRACE 6	WATER DRAIN
Water drain length	400-920 mm
Water drain inside diameter	45 mm
Water drain outside diameter	50 mm
Material	PVC

MODEL – TERRACE 6	EXTERNAL WATER TAP
External tap diameter	1 inch
Material	316 type of stainless steel